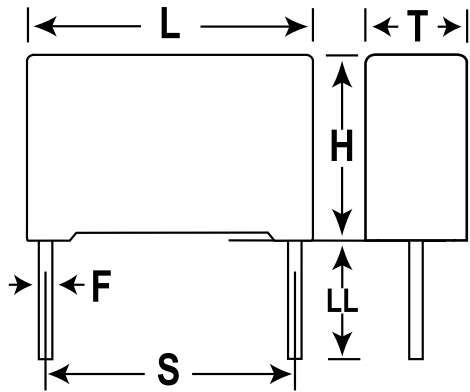


Film, Metallized Polypropylene, Commercial Grade, R75, 4700 pF, 5%, 2,000 V, 85C, Lead Spacing = 22.5mm



General Information	
Dielectric:	Metallized Polypropylene
Style:	Radial
Series:	R75
Features:	Pulse
RoHS:	Yes
Lead:	Wire Leads
Approvals:	AEC-Q200
AEC-Q200:	Yes
Miscellaneous:	Above 85C DC And AC Voltage Derating Is 1.25%/C

Dimensions	
L	26.5mm +0.3mm
H	15mm +0.1mm
T	6mm +0.2mm
S	22.5mm +/-0.4mm
LL	30mm +5mm
F	0.8mm +/-0.05mm

Specifications	
Capacitance:	4700 pF
Capacitance Tolerance:	5%
Voltage DC:	2000 VDC
Voltage AC:	700 VAC
Temperature Range:	-55/+105C
Rated Temperature:	85C
Dissipation Factor:	0.04% 1kHz, 0.06% 10kHz, 0.25% 100kHz
Insulation Resistance:	100 GOhms
Max dVdt:	3,500 V
Inductance:	18 nH

Packaging Specifications	
Packaging:	Bulk
Packaging Quantity:	500