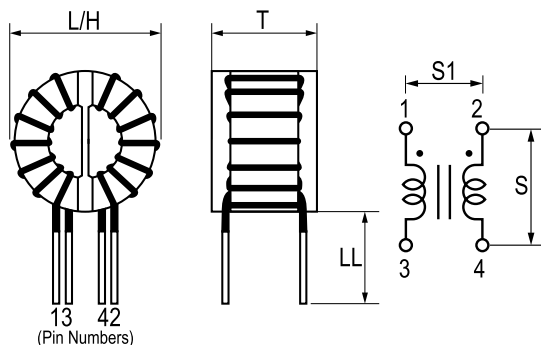


**KEMET Part Number: SC-02-101**  
(UALSC021010000)

Choke, SC, 1000 uH



#### General Information

<b>Style:</b>	Through-Hole Toroid
<b>Series:</b>	SC
<b>Description:</b>	Standard Common Mode Filter
<b>RoHS:</b>	Yes
<b>Miscellaneous:</b>	Inductance Measurement Condition: 100kHz 1mA KC547
<b>Notes:</b>	Lead Spacing (S/S1) Are For Reference Only.

#### Specifications

<b>Inductance:</b>	1000 uH
<b>Rated Temperature:</b>	105C
<b>Current:</b>	2 Amps
<b>Voltage AC:</b>	250 VAC
<b>DC Resistance:</b>	110 mOhms
<b>Insulation Resistance:</b>	100 MOhms

#### Dimensions

<b>L</b>	23mm MAX
<b>T</b>	13mm MAX
<b>H</b>	23mm MAX
<b>S</b>	11mm MAX
<b>S1</b>	6mm NOM
<b>LL</b>	15mm +/-2mm
<b>Wire Size</b>	0.6mm

#### Packaging Specifications

<b>Weight:</b>	15 g
----------------	------