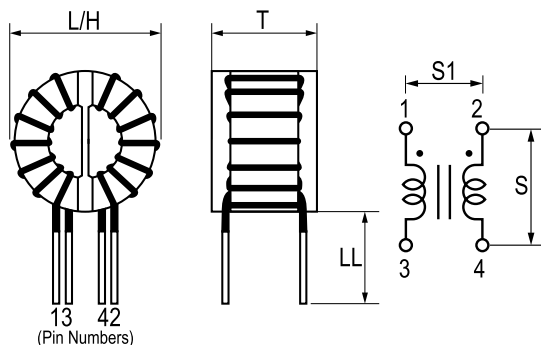


KEMET Part Number: SC-02-200
(UALSC022000000)

Choke, SC, 2000 uH



Dimensions	
L	23mm MAX
T	18.5mm MAX
H	23mm MAX
S	17mm MAX
S1	6mm NOM
LL	15mm +/-2mm
Wire Size	0.6mm

Packaging Specifications	
Weight:	15 g

General Information	
Style:	Through-Hole Toroid
Series:	SC
Description:	Standard Common Mode Filter
RoHS:	Yes
Miscellaneous:	Inductance Measurement Condition: 100kHz 1mA KC547
Notes:	Lead Spacing (S/S1) Are For Reference Only.

Specifications	
Inductance:	2000 uH
Rated Temperature:	105C
Current:	2 Amps
Voltage AC:	250 VAC
DC Resistance:	110 mOhms
Insulation Resistance:	100 MOhms