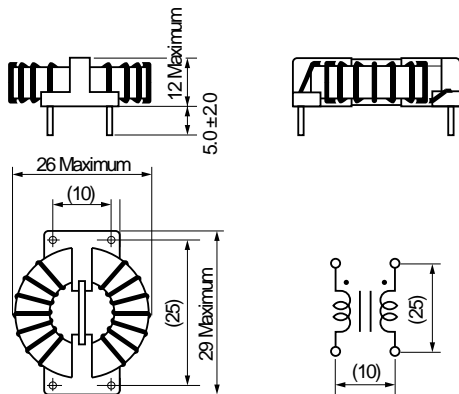


KEMET Part Number: SC-03-10JS
(UALSC0310JS000)

Choke, SC-JS, 1000 uH



Dimensions

L	26mm MAX
T	29mm MAX
H	12mm MAX
S	25mm MAX
S1	10mm NOM
LL	5mm +/-2mm
Wire Size	0.6mm

Packaging Specifications

Weight:	9 g
----------------	-----

General Information

Style:	Through-Hole Toroid
Series:	SC-JS
Description:	Low Profile Common Mode Filter With Base Plate
RoHS:	Yes
Miscellaneous:	Inductance Measurement Condition: 1kHz 0.3mA KC547
Notes:	Lead Spacing (S/S1) Are For Reference Only.

Specifications

Inductance:	1000 uH
Rated Temperature:	105C
Current:	3 Amps
Voltage AC:	250 VAC
DC Resistance:	80 mOhms
Insulation Resistance:	100 MOhms