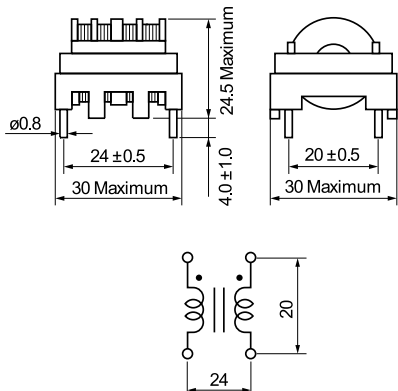


KEMET Part Number: SS28H-R25080-CH
(UAL28HR25080CH)

Commercial Grade, SS28V/H-CH, 8000 uH



Dimensions

| | |
|-----------|---------------|
| L | 30mm MAX |
| T | 30mm MAX |
| H | 24.5mm MAX |
| S | 20mm +/-0.5mm |
| S1 | 24mm +/-0.5mm |
| LL | 4mm +/-1mm |
| F | 0.8mm NOM |

Packaging Specifications

| | |
|----------------|--------|
| Weight: | 30.5 g |
|----------------|--------|

General Information

| | |
|-----------------------|---|
| Style: | Through-Hole Choke |
| Series: | SS28V/H-CH |
| Description: | Common Mode Filter |
| RoHS: | Yes |
| Miscellaneous: | Inductance Measurement Condition: 1kHz 1V KC530 |

Specifications

| | |
|-------------------------------|-----------|
| Inductance: | 8000 uH |
| Rated Temperature: | 120C |
| Current: | 2.5 Amps |
| Voltage AC: | 250 VAC |
| DC Resistance: | 160 mOhms |
| Insulation Resistance: | 100 MOhms |