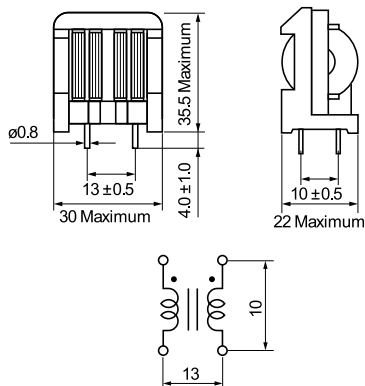


KEMET Part Number: SS28V-25045-CH
(UAL28V25045CH0, SS28V/H-25045-CH)

Commercial Grade, SS28V/H-CH, 4500 uH



Dimensions	
L	30mm MAX
T	22mm MAX
H	35.5mm MAX
S	10mm +/-0.5mm
S1	13mm +/-0.5mm
LL	4mm +/-1mm
F	0.8mm NOM

Packaging Specifications	
Weight:	32.9 g

General Information	
Style:	Through-Hole Choke
Series:	SS28V/H-CH
Description:	Common Mode Filter
RoHS:	Yes
Miscellaneous:	Inductance Measurement Condition: 1kHz 1V KC530

Specifications	
Inductance:	4500 uH
Rated Temperature:	120C
Current:	2.5 Amps
Voltage AC:	250 VAC
DC Resistance:	160 mOhms
Insulation Resistance:	100 MOhms