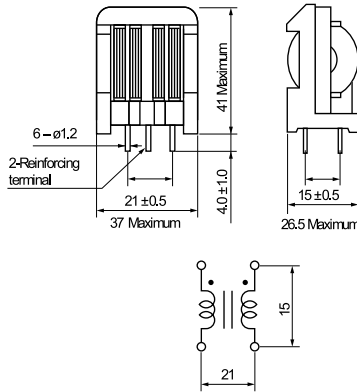


KEMET Part Number: SS35V-40033
(UAL35V40033000, SS35V/H-40033)

Commercial Grade, SS35V/35H, 3300 uH



Dimensions	
L	37mm MAX
T	26.5mm MAX
H	41mm MAX
S	15mm +/-0.5mm
S1	21mm +/-0.5mm
LL	4mm +/-1mm
F	1.2mm NOM

Packaging Specifications	
Weight:	55 g

General Information	
Style:	Through-Hole Choke
Series:	SS35V/35H
Description:	Common Mode Filter
RoHS:	Yes
Miscellaneous:	Inductance Measurement Condition: 1kHz 1V KC530

Specifications	
Inductance:	3300 uH
Rated Temperature:	120C
Current:	4 Amps
Voltage AC:	250 VAC
DC Resistance:	80 mOhms
Insulation Resistance:	100 MOhms