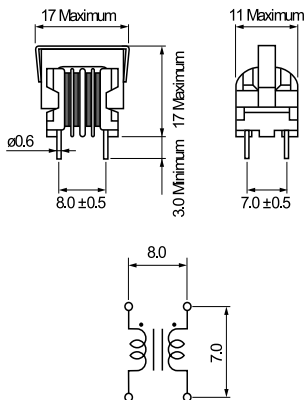


KEMET Part Number: SU9VF-03060
(UALSU9VF030600, SU9VF/HF-03060)

Commercial Grade, SU-9VF/9HF, 6000 uH



Dimensions

L	17mm MAX
T	11mm MAX
H	17mm MAX
S	7mm +/-0.5mm
S1	8mm +/-0.5mm
LL	3mm MIN
F	0.6mm NOM

Packaging Specifications

Weight: 3.2 g

General Information

Style:	Through-Hole Choke
Series:	SU-9VF/9HF
Description:	Common Mode Filter
RoHS:	Yes
Miscellaneous:	Inductance Measurement Condition: 1kHz 1V KC530

Specifications

Inductance:	6000 uH
Rated Temperature:	120C
Current:	0.3 Amps
Voltage AC:	250 VAC
DC Resistance:	2 Ohms
Insulation Resistance:	100 MOhms