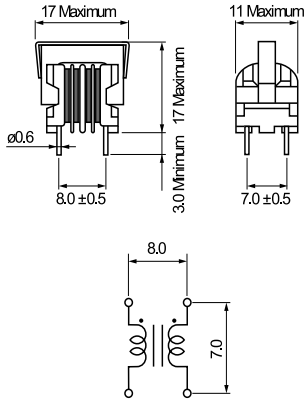


KEMET Part Number: SU9VF-07015
(UALSU9VF070150, SU9VF/HF-07015)

Commercial Grade, SU-9VF/9HF, 1500 uH



Dimensions	
L	17mm MAX
T	11mm MAX
H	17mm MAX
S	7mm +/-0.5mm
S1	8mm +/-0.5mm
LL	3mm MIN
F	0.6mm NOM

Packaging Specifications	
Weight:	3.3 g

General Information	
Style:	Through-Hole Choke
Series:	SU-9VF/9HF
Description:	Common Mode Filter
RoHS:	Yes
Miscellaneous:	Inductance Measurement Condition: 1kHz 1V KC530

Specifications	
Inductance:	1500 uH
Rated Temperature:	120C
Current:	0.7 Amps
Voltage AC:	250 VAC
DC Resistance:	440 mOhms
Insulation Resistance:	100 MOhms