



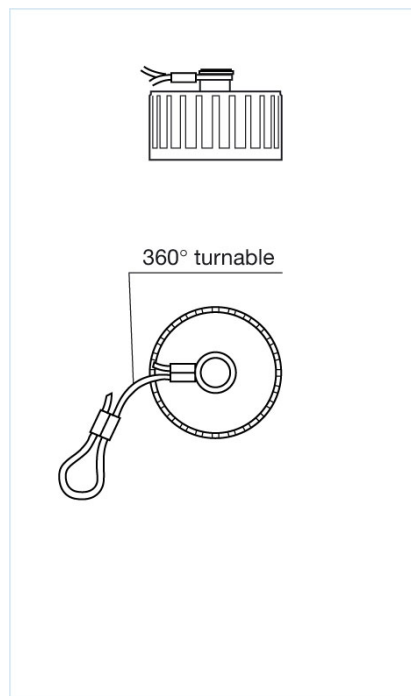
CM 02 SD 14S

Industrial Connectors:Circular connector CM-series:Accessories CM-series

Product description

Description	Cap for surface mounted connector
Type	CM 02 SD 14S
Order No.	831 620-100
Number of contacts	for 3, 4, 5, 6, 6 + PE
Housing Color	black

Drawing



Technical data

Type of termination	screw
---------------------	-------

Material

Housing material	PA 66-GF 25
------------------	-------------

Environmental conditions

Temperature range	-40 °C to +90 °C
-------------------	------------------

Packing unit

Packaging unit	100 pieces
----------------	------------

Scope of delivery and accessories

Scope of delivery	cap with internal thread, nylon loop
-------------------	---

Accessories to order separately

can be plugged into CM 02 E 14S-...,
CM 02 L 14S-...