

Solid State Relay



RoHS
Compliant



Description

The product is a single channel din-rail mounted module with SSR of max load current at 20A. The control voltage is 3-10V DC and dielectric strength is at 2500VACrms. Load voltage is 60V DC. It is widely used in industrial automations such as DC motor, DC power supply and all kinds of electromagnetic devices.

Features

- Load Current: 0.1A to 20A
- Din Rail Mounted
- DC Control
- LED Indication
- Dielectric Strength: $\geq 2500\text{VACrms}$

Applications

Suitable for control and isolation between control signal and high current as interface. It is widely used in industrial automations such as DC motor, DC power supply and all kinds of electromagnetic devices.

Technical Specification

Input Specifications

Control Voltage Range	: 3V DC to 10V DC
Min. Turn-On Voltage	: 3V DC
Min. Turn-Off Voltage	: 1V DC
Max. Input Current	: 15mA

Output Circuit

Load Voltage Range	: 0 ~ 60V AC
Transient Overvoltage	: 60Vpk
Max. Surge Current (@10 ms) (20A)	: 100A
Max. Turn-on Time	: 1ms
Max. Turn-off Time	: 1ms
Max. Off-State Leakage Current [@ Rated Voltage]	: 0.1mA
Max. On Resistance (60V DC/20A)	: 3.6m Ω

General Information

Dielectric Strength Input/Output (50/60Hz)	: $\geq 2500\text{Vrms}$
Ambient Operating Temperature Range	: -30°C to +80°C
Ambient Storage Temperature Range	: -30°C to +100°C
Weight (Typical)	: 55g

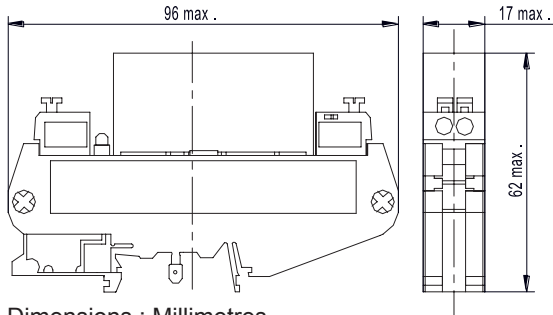
www.element14.com
www.farnell.com
www.newark.com



Solid State Relay



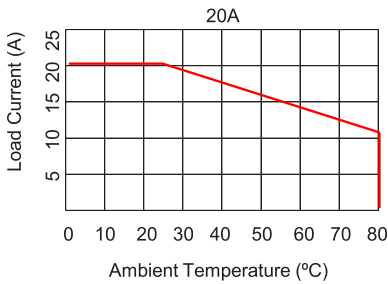
Diagram



Dimensions : Millimetres



Thermal Curve



Part Number Table

Description	Part Number
SSR, DIN Module, 60V DC, 20A, 3-10VDC	MCDRA-1/KSL60D20-L

Important Notice : This data sheet and its contents (the "Information") belong to the members of the Premier Farnell group of companies (the "Group") or are licensed to it. No licence is granted for the use of it other than for information purposes in connection with the products to which it relates. No licence of any intellectual property rights is granted. The Information is subject to change without notice and replaces all data sheets previously supplied. The Information supplied is believed to be accurate but the Group assumes no responsibility for its accuracy or completeness, any error in or omission from it or for any use made of it. Users of this data sheet should check for themselves the Information and the suitability of the products for their purpose and not make any assumptions based on information included or omitted. Liability for loss or damage resulting from any reliance on the Information or use of it (including liability resulting from negligence or where the Group was aware of the possibility of such loss or damage arising) is excluded. This will not operate to limit or restrict the Group's liability for death or personal injury resulting from its negligence. Multicomp is the registered trademark of the Group. © Premier Farnell Limited 2016.

www.element14.com
 www.farnell.com
 www.newark.com

