

Solid State Relay



RoHS
Compliant



Description

The product is a PCB mounted solid state relay. Load current is 5A, including zero cross and random-on switching control. Control voltage is 4-32V DC. Opto-isolation is 4000VACrms. With a high inrush current capability. The load voltage is 380 Volts.

Features

- Plastic case
- Zero crossing switching
- Ratings from 5A @ 24-530V AC
- Control voltage: 4-32VDC
- Opto-isolation: 4000V ACrms

Applications

Suitable for important industrial applications such as lighting control, motor control, medical device, elevator.

Technical Specification

Input Circuit

Control Voltage Range	: 4V DC to 32V DC
Min. Turn-On Voltage	: 4V DC
Min. Turn-Off Voltage	: 1V DC
Max. Input Current	: 25mA

Output Circuit

Load Voltage Range	: 24 ~ 440V AC
Transient Over Voltage	: 800Vpk
Load Current Range	: 0.1 ~ 5A
Max. Turn-On Time	
Zero Crossing	: 10ms
Max. Turn-off Time	: 10ms
Max. Surge Current (@10 ms) (5A)	: 250A
Max. Off-State Leakage Current [@ Rated Voltage]	: 1.5mA
Max. On-State Voltage Drop [@ Rated Current]	: 1.5Vrms
Min. Off-State dv/dt[@Maximum Rated Voltage]	: 500V/μs

General Information

Dielectric Strength Input/Output (50/60Hz)	: ≥ 4000 Vrms
Ambient Operating Temperature Range	: -30°C to +80°C
Ambient Storage Temperature Range	: -30°C to +100°C
Weight (Typical)	: 20g

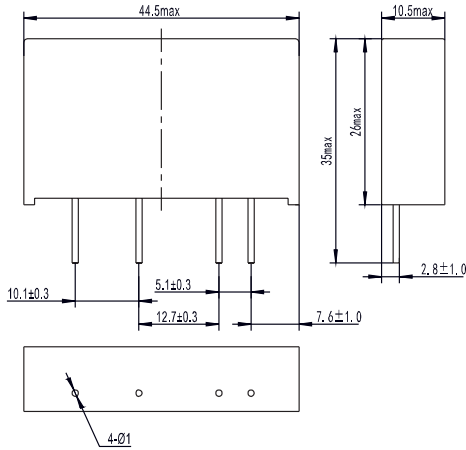
www.element14.com
www.farnell.com
www.newark.com



Solid State Relay

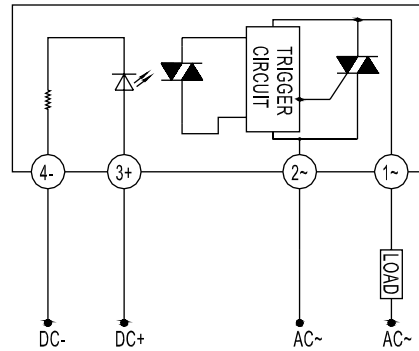


Diagram

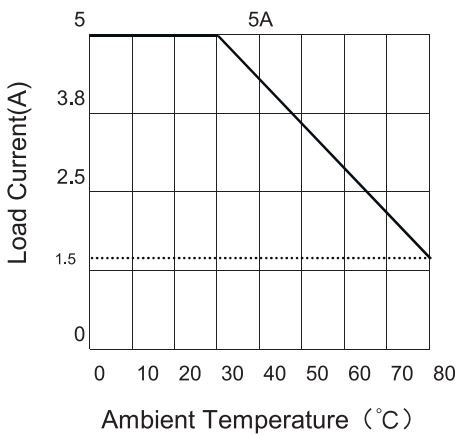


Dimensions : Millimetres

Wiring Diagram



Thermal Curve



Part Number Table

Description	Part Number
SSR, 5A, 24-440V AC, 4-32V DC	MCKSD380D5-W(037)

Important Notice : This data sheet and its contents (the "Information") belong to the members of the Premier Farnell group of companies (the "Group") or are licensed to it. No licence is granted for the use of it other than for information purposes in connection with the products to which it relates. No licence of any intellectual property rights is granted. The Information is subject to change without notice and replaces all data sheets previously supplied. The Information supplied is believed to be accurate but the Group assumes no responsibility for its accuracy or completeness, any error in or omission from it or for any use made of it. Users of this data sheet should check for themselves the Information and the suitability of the products for their purpose and not make any assumptions based on information included or omitted. Liability for loss or damage resulting from any reliance on the Information or use of it (including liability resulting from negligence or where the Group was aware of the possibility of such loss or damage arising) is excluded. This will not operate to limit or restrict the Group's liability for death or personal injury resulting from its negligence. Multicomp is the registered trademark of the Group. © Premier Farnell Limited 2016.

www.element14.com
 www.farnell.com
 www.newark.com

