

Solid State Relay



RoHS
Compliant



Description

The product is a AC output, solid state relay with small size. The control voltage is 24V DC. Output current is 2A and output voltage is 240V AC.

Features

- Zero crossing switch
- TTL, COMS drive Compatible
- Opto electronic isolation
- Control voltage: 24V DC
- DIN rail mounted
- Standard footprint package
- Dielectric strength $\geq 2500\text{VACrms}$

Applications

Suitable for high density PCB mounted or PLC control applications.

Technical Specification

Input Circuit

Control Voltage Range	: 19.2V DC to 28.8V DC
Min. Turn-On Voltage	: 19.2V DC
Min. Turn-Off Voltage	: 2.4V DC
Max. Input Current	: 16mA

Output Circuit

Load Voltage Range	: 48 ~ 280V AC
Max. Transient Voltage	: 600Vpk
Load Current Range	: 0.1 ~ 2A
Max. Turn-on Time	: 10ms
Max. Turn-off Time	: 10ms
Max. Surge Current [@10ms] (20A)	: 80A
Max. Off-State Leakage Current [@ Rated Voltage]	: 1.5mA
Max. On-State Voltage Drop [@ Rated Current]	: 1.5Vrms
Minimum Off-State dv/dt [@ Max. Rated Voltage]	: 200V/ μs

General Information

Dielectric Strength (50/60Hz)	
Input/Output	: $\geq 2500\text{Vrms}$
Insulation Resistance	: 1000M Ω (@500V DC)
Vibration	: 10-55Hz 1.5mm double-amplitude
Shock	: Acceleration 980m/s ² pulse duration 6ms
Ambient Operating Temperature Range	: -30°C to +80°C
Ambient Storage Temperature Range	: -30°C to +100°C
Weight [Typical]	: 30g

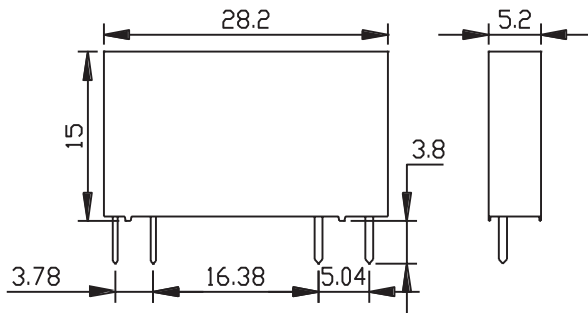
www.element14.com
www.farnell.com
www.newark.com



Solid State Relay

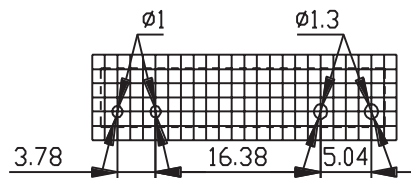


Diagram

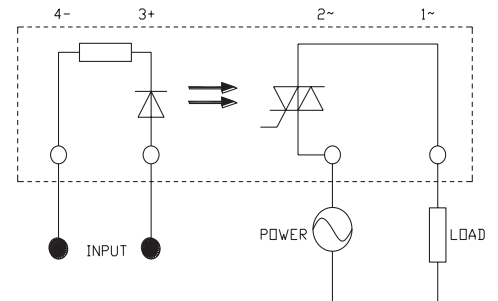


Dimensions : Millimetres

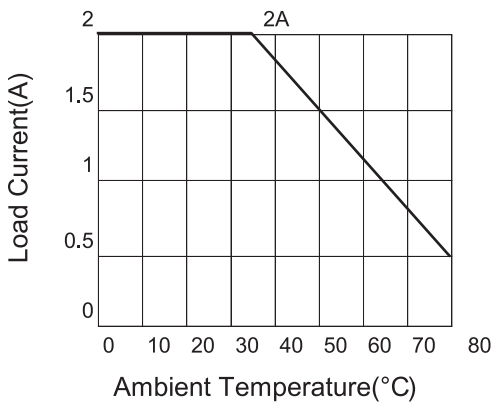
PCB Mounted Figure



Wiring Method



Thermal Curve



Part Number Table

Description	Part Number
SSR, 2A, 240VAC, Ultra slim, 5mm width	MCKSMA240D2-24

Important Notice : This data sheet and its contents (the "Information") belong to the members of the Premier Farnell group of companies (the "Group") or are licensed to it. No licence is granted for the use of it other than for information purposes in connection with the products to which it relates. No licence of any intellectual property rights is granted. The Information is subject to change without notice and replaces all data sheets previously supplied. The Information supplied is believed to be accurate but the Group assumes no responsibility for its accuracy or completeness, any error in or omission from it or for any use made of it. Users of this data sheet should check for themselves the Information and the suitability of the products for their purpose and not make any assumptions based on information included or omitted. Liability for loss or damage resulting from any reliance on the Information or use of it (including liability resulting from negligence or where the Group was aware of the possibility of such loss or damage arising) is excluded. This will not operate to limit or restrict the Group's liability for death or personal injury resulting from its negligence. Multicomp is the registered trademark of the Group. © Premier Farnell Limited 2016.

www.element14.com
www.farnell.com
www.newark.com

