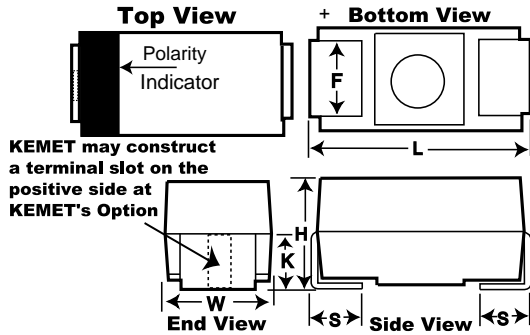


Tantalum, MnO2 Tantalum, B450, 1000 uF, 10%, 6.3 V, 7343, SMD, Molded, Low ESR, Surge Robust, 100 mOhms, 4.4mm



**Dimensions**

Dimensions	
Footprint	7343
L	7.3mm +/-0.3mm
W	4.3mm +/-0.3mm
H	4.1mm +/-0.3mm
S	1.3mm +/-0.3mm
F	2.4mm +/-0.1mm

**Packaging Specifications**

Packaging:	T&R, 178mm
Packaging Quantity:	400

**General Information**

Dielectric:	MnO2 Tantalum
Style:	SMD Chip
Series:	B450
Description:	SMD, Molded, Low ESR, Surge Robust
Features:	Low ESR, Surge Robust
RoHS:	Yes
Termination:	Tin

**Specifications**

Capacitance:	1000 uF
Capacitance Tolerance:	10%
Voltage DC:	6.3 VDC (85C), 4.22 VDC (125C)
Temperature Range:	-55/+125C
Dissipation Factor:	6%
Failure Rate:	N/A
Resistance:	0.1 Ohms (100kHz)
Current:	1280 mAmps (25C), 1152 mAmps (85C), 512 mAmps (125C)
Leakage:	63 uAmps