

RJ45 connector - VS-08-RJ45-Q - 1402420


Please be informed that the data shown in this PDF Document is generated from our Online Catalog. Please find the complete data in the user's documentation. Our General Terms of Use for Downloads are valid (<http://phoenixcontact.com/download>)



RJ45 connector, Degree of protection: IP20, Number of positions: 8, CAT5 (IEC 11801:2002), Material: PA 6.6, Connection method: IDC fast connection, Connection cross section: AWG 26-24, Cable exit: straight



Key Commercial Data

Packing unit	1 STK
GTIN	 4 046356 615501
GTIN	4046356615501
Weight per Piece (excluding packing)	12.100 g
Custom tariff number	85366990
Country of origin	Germany
Note	Made to Order (non-returnable)

Technical data

Mechanical characteristics

Number of positions	8
Connection profile	RJ45
Shielded	yes
Insertion/withdrawal cycles	≥ 750
Connection method	IDC fast connection
Conductor cross section	0.13 mm ² ... 0.21 mm ² (solid)
	0.14 mm ² ... 0.23 mm ² (7-wire)
Connection cross section AWG	26 ... 24 (solid)
	26 ... 24 (7-wire)
Max. cable diameter	4.5 mm ... 8 mm
External cable diameter	4.5 mm ... 8 mm
Cable exit	straight
Color	green

RJ45 connector - VS-08-RJ45-Q - 1402420

Technical data

Mechanical characteristics

Wire diameter including insulation	1.6 mm
Degree of protection	IP20
No. of cable outlets	1

Ambient conditions

Ambient temperature (operation)	-20 °C ... 70 °C
---------------------------------	------------------

Material data

Flammability rating according to UL 94	V2
Housing material	PA 6.6
Contact material	CuSn

Electrical characteristics

Number of positions	8
Nominal voltage U_N	50 V
Nominal current I_N	1.75 A
Transmission characteristics (category)	CAT5 (IEC 11801:2002)
GRP transmission properties	CAT5 (IEC 11801:2002)
Rated current	1.75 A
Overvoltage category	I
Degree of pollution	2

Standards and Regulations

Flammability rating according to UL 94	V2
--	----

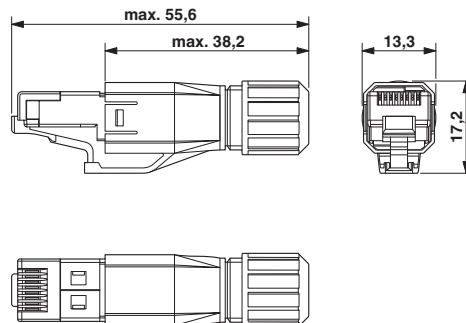
Environmental Product Compliance

REACH SVHC	DOTe 15571-58-1
China RoHS	Environmentally Friendly Use Period = 50
	For details about hazardous substances go to tab "Downloads", Category "Manufacturer's declaration"

Drawings

RJ45 connector - VS-08-RJ45-Q - 1402420

Dimensional drawing



RJ45 connector, IP20

Classifications

eCl@ss

eCl@ss 4.0	27140816
eCl@ss 4.1	27260701
eCl@ss 5.0	27260701
eCl@ss 5.1	27260701
eCl@ss 6.0	27260705
eCl@ss 7.0	27440309
eCl@ss 8.0	27440101
eCl@ss 9.0	27440101

ETIM

ETIM 4.0	EC001121
ETIM 5.0	EC002636
ETIM 6.0	EC002636

UNSPSC

UNSPSC 6.01	31261501
UNSPSC 7.0901	31261501
UNSPSC 11	31261501
UNSPSC 12.01	31261501
UNSPSC 13.2	39121409

Approvals

Approvals

Approvals

UL Listed / cUL Listed / EAC / cULus Listed

RJ45 connector - VS-08-RJ45-Q - 1402420

Approvals

Ex Approvals

Approval details

UL Listed		http://database.ul.com/cgi-bin/XYV/template/LISEXT/1FRAME/index.htm E335024-20150529
Nominal current IN		1.75 A
Nominal voltage UN		57 V

cUL Listed		http://database.ul.com/cgi-bin/XYV/template/LISEXT/1FRAME/index.htm E335024-20150529
Nominal current IN		1.75 A
Nominal voltage UN		57 V

EAC		B.01742
-----	--	---------

cULus Listed		
--------------	--	--

Accessories

Accessories

Stripping tool - VS-CABLE-STRIP-VARIO - 1657407

Stripping tool, for the multi-level stripping of shielded cables



RJ45 connector - VS-08-RJ45-Q - 1402420

Accessories

Shielding foil - VS-08-RJ45-FOLIEN-SET - 1417184

Shielding foil set, 25 pieces, replacement for RJ45 and M12 Quickon connector



Phoenix Contact 2017 © - all rights reserved
<http://www.phoenixcontact.com>