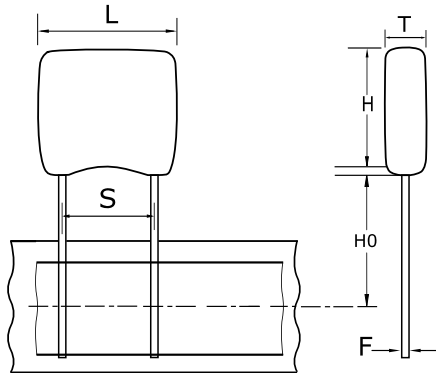


Ceramic, GoldMax, 0.1 uF, 20%, 50 V, Z5U, GoldMax, Commercial Standard, Lead Spacing = 2.54mm



#### Dimensions

Dimension	Value
L	3.81mm MAX
H	3.14mm MAX
T	2.54mm MAX
S	2.54mm +/-0.78mm
LL	7mm MIN
H0	16mm +/-0.5mm
F	0.51mm +0.1/-0.025mm

#### Packaging Specifications

Packaging:	T&R, 305mm
Packaging Quantity:	2500

#### General Information

Style:	Radial
Series:	GoldMax
Description:	GoldMax, Commercial Standard
RoHS:	Yes
Termination:	Tin
Failure Rate:	N/A
Halogen Free:	Yes

#### Specifications

Capacitance:	0.1 uF
Capacitance Tolerance:	20%
Voltage DC:	50 VDC
Dielectric Withstanding Voltage:	125 V
Temperature Range:	+10/+85C
Temperature Coefficient:	Z5U
Dissipation Factor:	4% 25C
Aging Rate:	7% Loss/Decade Hour
Insulation Resistance:	1 GOhms