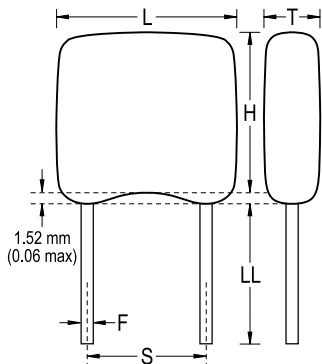


Ceramic, GoldMax, 2200 pF, 20%, 100 V, Z5U, GoldMax, Commercial Standard, Lead Spacing = 2.54mm



Dimensions

L	3.81mm MAX
H	3.14mm MAX
T	2.54mm MAX
S	2.54mm +/-0.78mm
LL	7mm MIN
F	0.51mm +0.1/-0.025mm

Packaging Specifications

Packaging:	Bulk, Bag
Packaging Quantity:	500

General Information

Style:	Radial
Series:	GoldMax
Description:	GoldMax, Commercial Standard
RoHS:	Yes
Termination:	Tin
Failure Rate:	N/A
Halogen Free:	Yes

Specifications

Capacitance:	2200 pF
Capacitance Tolerance:	20%
Voltage DC:	100 VDC
Dielectric Withstanding Voltage:	250 V
Temperature Range:	+10/+85C
Temperature Coefficient:	Z5U
Dissipation Factor:	4% 25C
Aging Rate:	7% Loss/Decade Hour
Insulation Resistance:	10 GOhms