

## DIN rail bus connectors - PSR-TBUS - 2890425

Please be informed that the data shown in this PDF Document is generated from our Online Catalog. Please find the complete data in the user's documentation. Our General Terms of Use for Downloads are valid (<http://phoenixcontact.com/download>)


DIN rail connector for safety switching devices, for supplying/controlling/monitoring (depending on the module)



### Why buy this product



### Key Commercial Data

Packing unit	50 STK
GTIN	 4 046356 091268
GTIN	4046356091268
Weight per Piece (excluding packing)	4.820 g
Custom tariff number	85366990
Country of origin	Germany

### Technical data

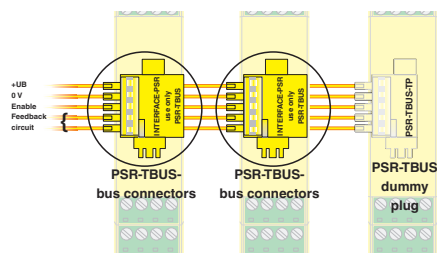
#### Environmental Product Compliance

China RoHS	Environmentally friendly use period: unlimited = EFUP-e
	No hazardous substances above threshold values

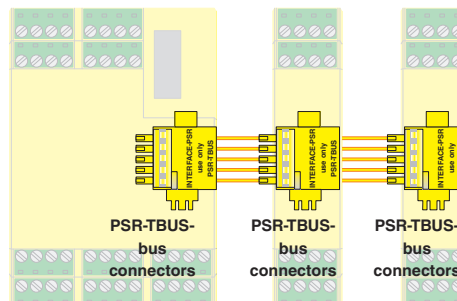
### Drawings

# DIN rail bus connectors - PSR-TBUS - 2890425

Connection diagram

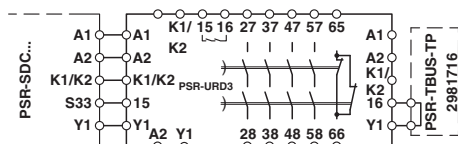


Connection diagram

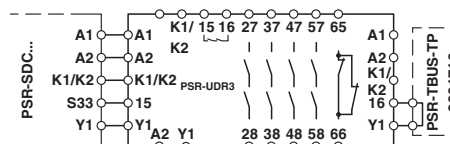


PSR-TBUS with TRISAFE (PSR-TBUS-TP blind plug may not be used)

Circuit diagram



Circuit diagram



## Classifications

### eCI@ss

eCI@ss 4.0	27371102
eCI@ss 4.1	27371102
eCI@ss 5.0	27371901
eCI@ss 5.1	27371901
eCI@ss 6.0	27260704
eCI@ss 7.0	27440402
eCI@ss 8.0	27440402
eCI@ss 9.0	27240692

### ETIM

ETIM 2.0	EC001449
ETIM 3.0	EC001449
ETIM 4.0	EC001449
ETIM 5.0	EC002637

### UNSPSC

UNSPSC 6.01	30211901
UNSPSC 7.0901	39121501
UNSPSC 11	39121501

## DIN rail bus connectors - PSR-TBUS - 2890425

### Classifications

#### UNSPSC

UNSPSC 12.01	39121501
UNSPSC 13.2	39121552

### Approvals

#### Approvals

---

#### Approvals


#### EAC / EAC

---

#### Ex Approvals

---

### Approval details

EAC		7500651.22.01.00244
-----	---	---------------------

EAC		EAC-Zulassung
-----	---	---------------

---