

Panel mounting frames - VS-PPC-F1-RJ45-MNNA-1R-F - 1405358


Please be informed that the data shown in this PDF Document is generated from our Online Catalog. Please find the complete data in the user's documentation. Our General Terms of Use for Downloads are valid (<http://phoenixcontact.com/download>)



RJ45 panel mounting frame, IP67, for push-pull interlocking, metal, with the Freenet system, for square panel cutout, with grommet, without mounting screws



Key Commercial Data

Packing unit	1 STK
GTIN	 4 046356 419949
GTIN	4046356419949
Weight per Piece (excluding packing)	28.300 g
Custom tariff number	85389099
Country of origin	Germany

Technical data

Mechanical characteristics

Color	silver
Degree of protection	IP65/IP67
Design	RJ45, IP65/67, version 14

Ambient conditions

Ambient temperature (operation)	-40 °C ... 70 °C
---------------------------------	------------------

Material data

Flammability rating according to UL 94	V0
Housing material	Zinc die-cast
Housing surface material	Nickel-plated
Material	Metal

Standards and Regulations

Flammability rating according to UL 94	V0
--	----

Environmental Product Compliance

Panel mounting frames - VS-PPC-F1-RJ45-MNNA-1R-F - 1405358

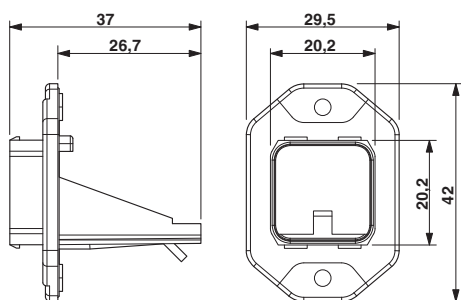
Technical data

Environmental Product Compliance

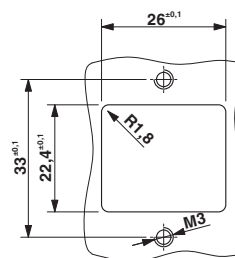
China RoHS	Environmentally friendly use period: unlimited = EFUP-e
	No hazardous substances above threshold values

Drawings

Dimensional drawing



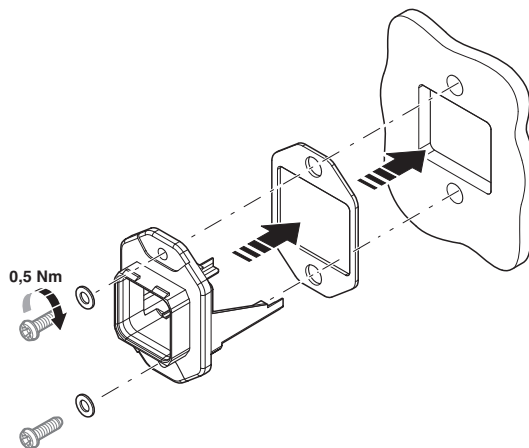
Dimensional drawing



Panel cutout

Push-Pull panel mounting frame, Freenet system, IP67

Explosion drawing



Classifications

eCl@ss

eCl@ss 4.0	272607xx
eCl@ss 4.1	27260701
eCl@ss 5.0	27260701
eCl@ss 5.1	27260701

Panel mounting frames - VS-PPC-F1-RJ45-MNNA-1R-F - 1405358

Classifications

eCl@ss

eCl@ss 6.0	27260708
eCl@ss 7.0	27440312
eCl@ss 8.0	27440210
eCl@ss 9.0	27440210

ETIM

ETIM 3.0	EC001121
ETIM 4.0	EC001121
ETIM 5.0	EC002310
ETIM 6.0	EC002310

UNSPSC

UNSPSC 6.01	31261501
UNSPSC 7.0901	31261501
UNSPSC 11	31261501
UNSPSC 12.01	31261501
UNSPSC 13.2	39121421

Accessories

Accessories

Female insert

RJ45 coupling - CUC-F-D1ZNI-S/R4GC8 - 1419022



RJ45 coupling, Degree of protection: IP20, Number of positions: 8, 1 Gbps, CAT6, Material: Zinc die-cast, Connection method: Female

RJ45 socket insert - CUC-F-J1ZNI-S/R4IDC8 - 1418984



RJ45 socket insert, Degree of protection: IP20, Number of positions: 8, 10 Gbps, CAT6_A, Material: Zinc die-cast, Connection method: IDC connection, Connection cross section: AWG 26-22