

## Panel mounting frames - VS-PPC-F1-RJ45-POBK-1R-F - 1608197

Please be informed that the data shown in this PDF Document is generated from our Online Catalog. Please find the complete data in the user's documentation. Our General Terms of Use for Downloads are valid (<http://phoenixcontact.com/download>)



RJ45 panel mounting frame, IP67, for push-pull interlocking, plastic, with the Freenet system, for square panel cutout, with grommet, without mounting screws



### Key Commercial Data

Packing unit	1 STK
GTIN	
GTIN	4046356159937
Weight per Piece (excluding packing)	8.400 g
Custom tariff number	85389099
Country of origin	Germany
Note	Made to Order (non-returnable)

### Technical data

#### Mechanical characteristics

Locking type	Push Pull
Insertion/withdrawal cycles	≥ 500
Color	black
Degree of protection	IP65/IP67
Design	RJ45, IP65/67, version 14

#### Ambient conditions

Ambient temperature (operation)	-40 °C ... 70 °C
---------------------------------	------------------

#### Material data

Flammability rating according to UL 94	V0
Housing material	PA-GF
Material	Plastic
Sealing material	NBR
Seal material	NBR

# Panel mounting frames - VS-PPC-F1-RJ45-POBK-1R-F - 1608197

## Technical data

### Electrical characteristics

Degree of pollution	2
---------------------	---

### Standards and Regulations

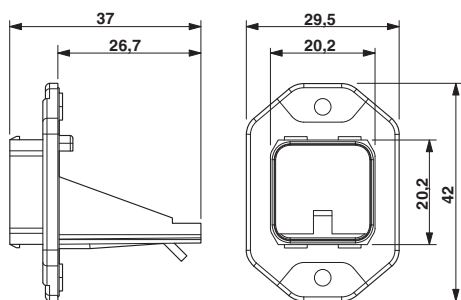
Flammability rating according to UL 94	V0
--	----

### Environmental Product Compliance

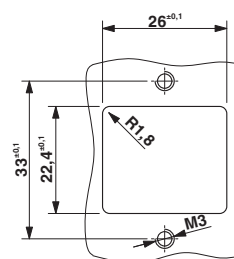
China RoHS	Environmentally friendly use period: unlimited = EFUP-e
	No hazardous substances above threshold values

## Drawings

Dimensional drawing



Dimensional drawing



Panel cutout

Push-Pull panel mounting frame, Freenet system, IP67

## Classifications

eCl@ss

eCl@ss 4.0	272607xx
eCl@ss 4.1	27260701
eCl@ss 5.0	27260701
eCl@ss 5.1	27260701
eCl@ss 6.0	27260708
eCl@ss 7.0	27440312
eCl@ss 8.0	27440210
eCl@ss 9.0	27440210

ETIM

ETIM 3.0	EC001121
ETIM 4.0	EC001121
ETIM 5.0	EC002310

# Panel mounting frames - VS-PPC-F1-RJ45-POBK-1R-F - 1608197

## Classifications

### ETIM

ETIM 6.0	EC002310
----------	----------

### UNSPSC

UNSPSC 6.01	31261501
UNSPSC 7.0901	31261501
UNSPSC 11	31261501
UNSPSC 12.01	31261501
UNSPSC 13.2	39121421

## Accessories

### Accessories

#### Female insert

RJ45 socket insert - VS-08-BU-RJ45-5-F/PK - 1652936



RJ45 socket insert, Degree of protection: IP20, Number of positions: 8, CAT5 (IEC 11801:2002), Material: Copper alloy, Connection method: IDC, Connection cross section: AWG 24-22

RJ45 socket insert - VS-08-BU-RJ45-6-F/PK - 1652949



RJ45 socket insert, for the Freenet system, CAT6, 8-pos., shielded, with cable connection (IDC fast connection), for litz and solid wires AWG 24 ... 22

RJ45 socket insert - CUC-F-J1ZNI-S/R4IDC8 - 1418984



RJ45 socket insert, Degree of protection: IP20, Number of positions: 8, 10 Gbps, CAT6<sub>A</sub>, Material: Zinc die-cast, Connection method: IDC connection, Connection cross section: AWG 26-22

RJ45 coupling - CUC-F-D1ZNI-S/R4GC8 - 1419022



RJ45 coupling, Degree of protection: IP20, Number of positions: 8, 1 Gbps, CAT6, Material: Zinc die-cast, Connection method: Female

## Panel mounting frames - VS-PPC-F1-RJ45-POBK-1R-F - 1608197

### Accessories

---

Rectangular connector (device side)

RJ45 socket insert - VS-08-BU-RJ45-5-F/BU - 1652952



RJ45 socket insert, for the Freenet system, CAT5e, 8-pos., shielded, socket on socket

---