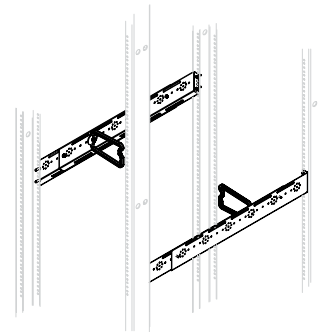


### 4-POST OPEN FRAME RACK FRONT-TO-BACK CABLE MANAGER

Cable Manager provides holes for mounting D-Rings and Spools to facilitate routing and managing cable in a 4-Post Open Frame Rack. Mounts to rack uprights. Made of steel with RAL 9005 black polyester paint finish. Includes six large D-Rings.

BULLETIN: DOFRY

Catalog Number	Height mm/in.	Width mm/in.	Adjusts to Fit 4-Post Depth	Pkg. Qty,
E4FBCM	74 2.90	22 .86	750-1050	1



87799410

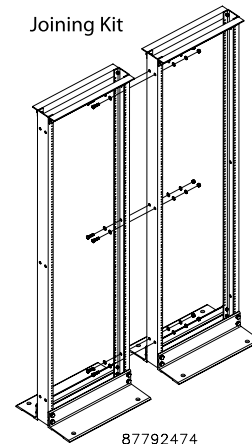
### JOINING KIT

Hardware kit to join two open-frame racks. Made of steel with plated finish.

BULLETIN: DOFRY

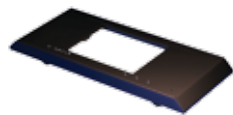
Catalog Number	Description
EJ2DR	Joining Kit, Side-to-Side

Joining Kit



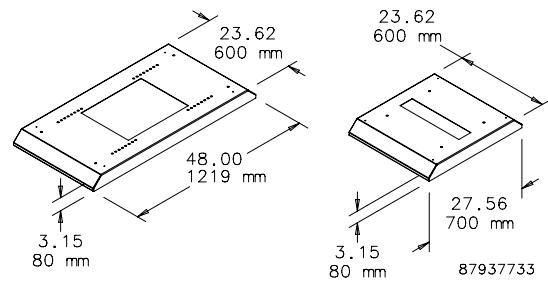
87792474

### MOBILE BASE FOR OPEN FRAME RACKS



Models for 19-in. 2- and 4-Post Open Frame Racks. Includes four non-locking casters. Will also accept standard levelers. Order catalog number PMBLM12 separately. The rack mounts on the base to provide greater stability with mobility. Made of steel with RAL 9005 black polyester powder paint finish. Mounting hardware included.

BULLETIN: DOFRY



Catalog Number	Fits
A19MB600	2-post open-frame racks
A19MB1000	4-post open-frame racks with depth adjustable between 17.7- and 29.5-in. (450- and 750-mm) in 0.98-in. (25-mm) increments

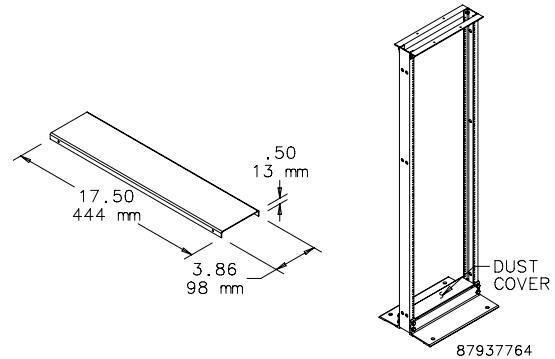
### DUST COVER



Provides a finished appearance to the base of a two-post rack. Made of steel with RAL 9005 black polyester powder paint finish.

**BULLETIN: DOFRY**

Catalog Number	Use with
EDUSTCVR	DataCom 2-post rack



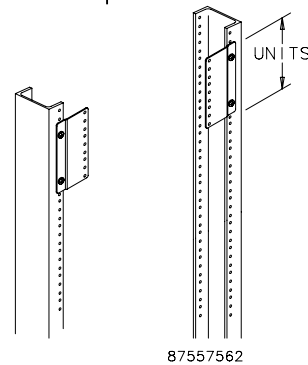
### PANEL ADAPTER

Adapts 23-in. open frame rack to accept 19-in. equipment. Offset provides flush mounting surface. Steel with plated finish. Furnished in pairs.

**BULLETIN: DACCY**

Catalog Number	Rack Units
ERB1U2319	1
ERB3U2319	3
ERB5U2319	5

Panel Adapter



### ELECTRICAL ISOLATION KIT

Provides electrical isolation between the 2-Post Open Frame Rack and the floor. Includes isolation plate and plastic bushings. Made of 0.125-in. fiberglass. Rack and floor fastening hardware not included.

**BULLETIN: DOFRY**

Catalog Number	Description
A19ESOK	Electrical Isolation Kit

