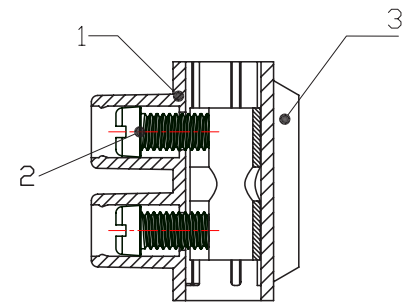
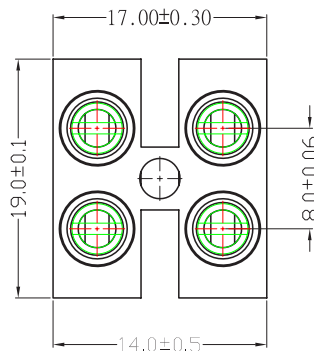
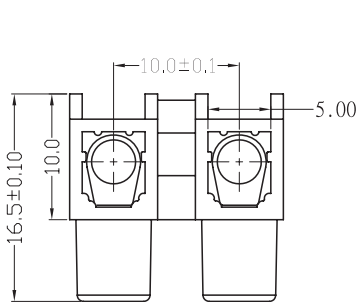


**RoHS
Compliant**

Specifications



Current Rating : 30Amp 600V
 Wire Range : 12 AWG to 22 AWG
 Continuous Working Temp. : 105°C Max.
 Operation Temperature : -30°C to +105°C
 Insulation Withstands Volt : AC2000V min
 Insulation Resistance : >2,000MΩ DC500V



Dimensions : Millimetres

Part Number	Pinch	Poles	L
MC001823	10mm	2	17mm
MC001824		3	27mm
MC001825		4	37mm
MC001826		10	97mm

No.	Material		Plating/Finish
1	Insulating Body	PA66(UL94-V0)	-
2	Terminal Block	Brass	Tin Plate
3	Screw	Steel	Zinc Plate

Part Number Table

Description	Part Number
H Type Dual-Pole Terminal Block, 30A, 600V, 10mm, 2×2 Poles, White	MC001823
H Type Dual-Pole Terminal Block, 30A, 600V, 10mm, 3×2 Poles, White	MC001824
H Type Dual-Pole Terminal Block, 30A, 600V, 10mm, 4×2 Poles, White	MC001825
H Type Dual-Pole Terminal Block, 30A, 600V, 10mm, 10×2 Poles, White	MC001826

Important Notice : This data sheet and its contents (the "Information") belong to the members of the Premier Farnell group of companies (the "Group") or are licensed to it. No licence is granted for the use of it other than for information purposes in connection with the products to which it relates. No licence of any intellectual property rights is granted. The Information is subject to change without notice and replaces all data sheets previously supplied. The Information supplied is believed to be accurate but the Group assumes no responsibility for its accuracy or completeness, any error in or omission from it or for any use made of it. Users of this data sheet should check for themselves the Information and the suitability of the products for their purpose and not make any assumptions based on information included or omitted. Liability for loss or damage resulting from any reliance on the Information or use of it (including liability resulting from negligence or where the Group was aware of the possibility of such loss or damage arising) is excluded. This will not operate to limit or restrict the Group's liability for death or personal injury resulting from its negligence. Multicomp is the registered trademark of the Group. © Premier Farnell Limited 2016.