

Terminal Block

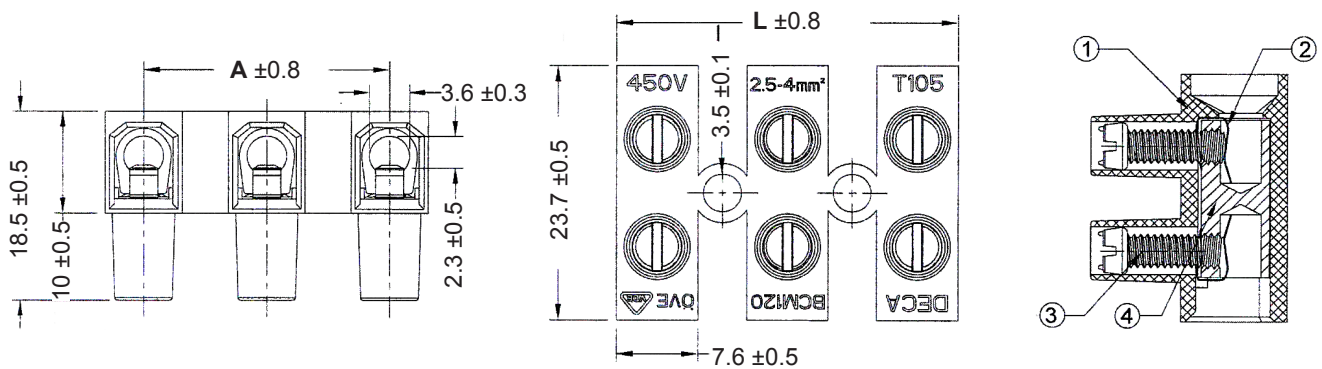


**RoHS
Compliant**



Specifications

Current Rating	: 41Amp AC 450V
Insulation Withstands Volt	: AC2000V min
Insulation Resistance	: >2,000MΩ DC500V
Operation Temperature	: -40°C to +85°C
Wire Range	: 10 AWG to 22 AWG
Screw Torque	: 7 Lb-inch (0.8Nm)
Stripped Length	: 5.5mm to 6.5mm



Dimensions : Millimetres

Part Number	Pinch	Poles	L	A
MC001831	12mm	2	19.6mm	12mm
MC001832		3	31.6mm	24mm
MC001833		4	43.6mm	36mm
MC001834		10	115.6mm	108mm

No.	Material	Plating/Finish
1	Insulating Body PA66(UL94-V2)	Natural Colour
2	Wire Protector Brass	Tin Plated
3	Screw Steel	Zinc Plated
4	Cage Clamp Brass	Ni Plated

Part Number Table

Description	Part Number
H Type Dual-Pole Terminal Block, 41A, 450V, 12mm, 2×2 Poles, White	MC001831
H Type Dual-Pole Terminal Block, 41A, 450V, 12mm, 3×2 Poles, White	MC001832
H Type Dual-Pole Terminal Block, 41A, 450V, 12mm, 4×2 Poles, White	MC001833
H Type Dual-Pole Terminal Block, 41A, 450V, 12mm, 10×2 Poles, White	MC001834

Important Notice : This data sheet and its contents (the "Information") belong to the members of the Premier Farnell group of companies (the "Group") or are licensed to it. No licence is granted for the use of it other than for information purposes in connection with the products to which it relates. No licence of any intellectual property rights is granted. The Information is subject to change without notice and replaces all data sheets previously supplied. The Information supplied is believed to be accurate but the Group assumes no responsibility for its accuracy or completeness, any error in or omission from it or for any use made of it. Users of this data sheet should check for themselves the Information and the suitability of the products for their purpose and not make any assumptions based on information included or omitted. Liability for loss or damage resulting from any reliance on the Information or use of it (including liability resulting from negligence or where the Group was aware of the possibility of such loss or damage arising) is excluded. This will not operate to limit or restrict the Group's liability for death or personal injury resulting from its negligence. Multicomp is the registered trademark of the Group. © Premier Farnell Limited 2016.

www.element14.com
www.farnell.com
www.newark.com

