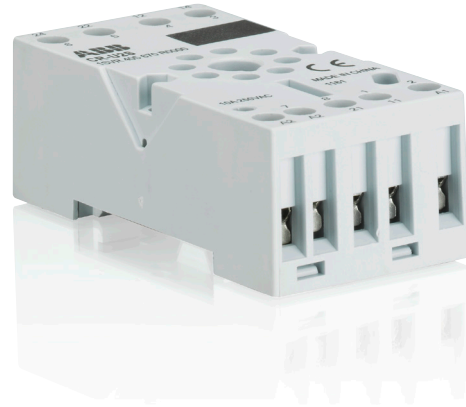


Accessories for pluggable interface relays CR-U

Sockets

Characteristics

- Standard socket for interface relays CR-U
- Snap-on mounting on DIN rail
- Connector for pluggable function modules: reverse polarity protection/free wheeling diode, LED indication, RC element, overvoltage protection, multifunction time module



2CDC 291 007 S0011

Approvals


 UL 508, CAN/CSA C22.2 No.14

 CSA C22.2 No.14

 EAC

 RMRS

Marks

 CE

Order data

Packing unit 10 = pieces.

Type	Version	Order code
------	---------	------------

Standard sockets

Position of connecting terminals: coil connection (A1-A2) on lower socket side, contact connections (n/o and n/c contacts) on the lower and upper socket side.

CR-U2S	for 2 c/o (SPDT) contacts + module	1SVR 405 670 R0000
CR-U3S	for 3 c/o (SPDT) contacts + module	1SVR 405 660 R0000
CR-U3E	for 3 c/o (SPDT) contacts	1SVR 405 660 R0100

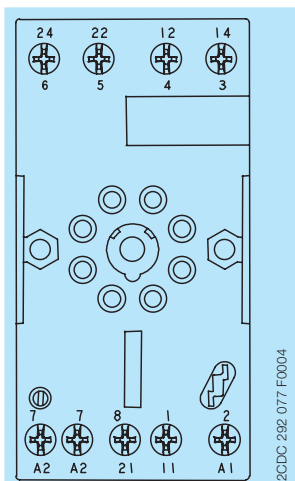
Small sockets

CR-U2SM	for 2 c/o (SPDT) contacts	1SVR 405 670 R1100
CR-U3SM	for 3 c/o (SPDT) contacts	1SVR 405 660 R1100

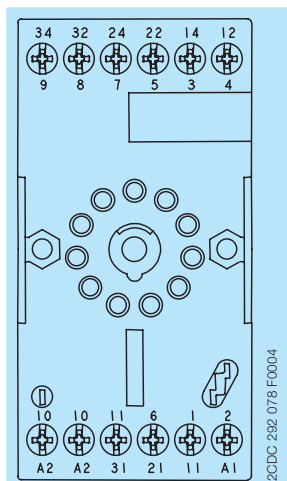
Accessories for CR-P sockets

CR-UH	Metall holder	1SVR 405 669 R0000
-------	---------------	--------------------

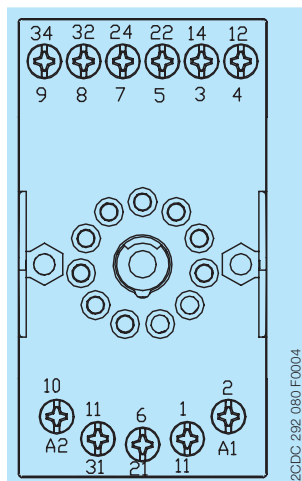
Electrical connection



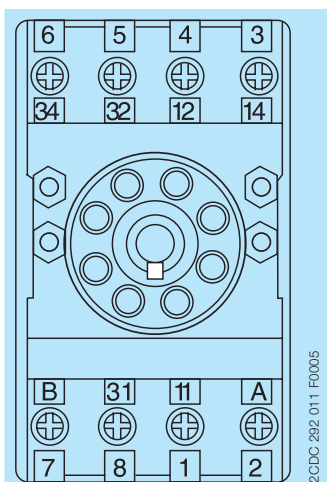
CR-U2S



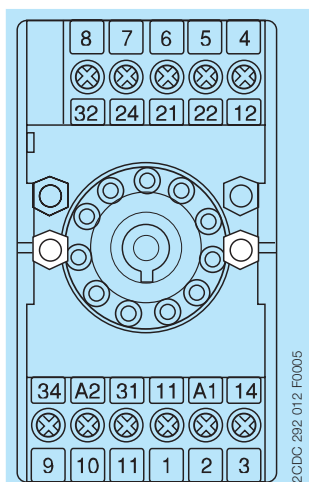
CR-U3S



CR-U3E



CR-U2SM



CR-U3SM

A1-A2	Supply voltage
11-12/14,	Relay outputs
21-22/24,	
31-32/34	
A-B	(only supply voltage CR-U2SM)

Technical data

Output circuits

Type	CR-UxS		CR-U3E	CR-UxSM
	CR-U2S	CR-U3S		
Output circuits	11-12/14, 21-22/24,...			
Number of poles	2 or 3		3	2 or 3
Rated voltage	250 V AC		300 V AC	250 V
Rated current	10 A			

General data

Dimensions without holder and module (L x W x H)		75.3 x 37.3 x 26 mm (2.965 x 1.469 x 1.024 in)	75.3 x 38.1 x 26 mm (2.965 x 1.500 x 1.024 in)	70 x 38 x 26 mm (2.756 x 1.496 x 1.024 in)	61.8 x 38.1 x 26 mm (2.756 x 1.500 x 1.024 in)	
Degree of protection	terminals	IP 20 B (EN 60529)				
Temperature range	operation	-40...+70 °C		-40...+85 °C	-40...+70 °C	
	storage	-40...+70 °C		-40...+85 °C	-40...+70 °C	
Connecting capacity	rigid	2 x 0.5-2.5 mm ²				
	fine-strand	(2 x 20-14 AWG)				
	with wire	2 x 0.5-1.5 mm ²		2 x 1.5 mm ²	2 x 0.5-1.5 mm ²	
	end ferrule	(2 x 20-16 AWG)		(2 x 16 AWG)	(2 x 20-16 AWG)	
Stripping length	7 mm (0.28 in)					
Tightening torque	0.6 Nm		0.8 Nm	0.6 Nm		
Mounting	DIN rail (IEC/EN 60715)					
Material	socket	PA 6+GF - V2		PA 6+GF - V2		
	contacts	CuZn33			CuZn37	
	contact surface	6 μ Ni			3 μ Ni	
	terminals	8 μ Ni		8 μ galvanized	10 μ Ni	
	combi screw M3	8.8 Steel, 5μ Ni			Steel, 8 μ Ni	

Isolation data

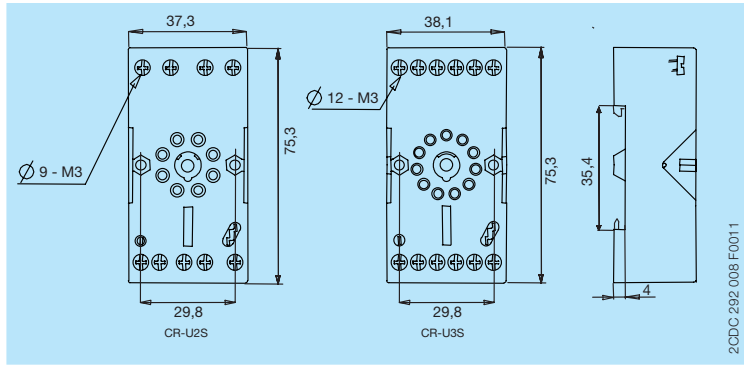
Insulation voltage	> 2 kV
Isolation between coil and contacts	IEC/EN 61984
Clearance and creepage distance	IEC/EN 61984

Standards / Directives

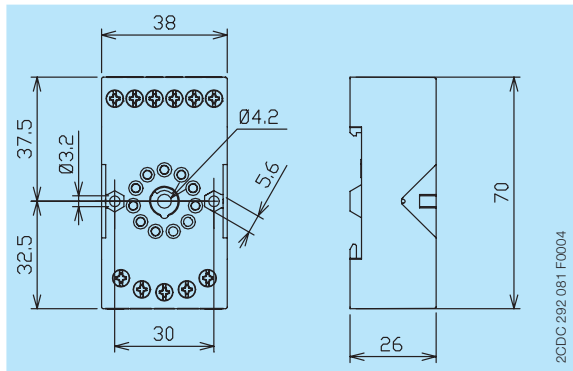
Standards	IEC/EN 61984
Low Voltage Directive	2014/35/EU
RoHS Directive	2011/65/EU

Dimensions

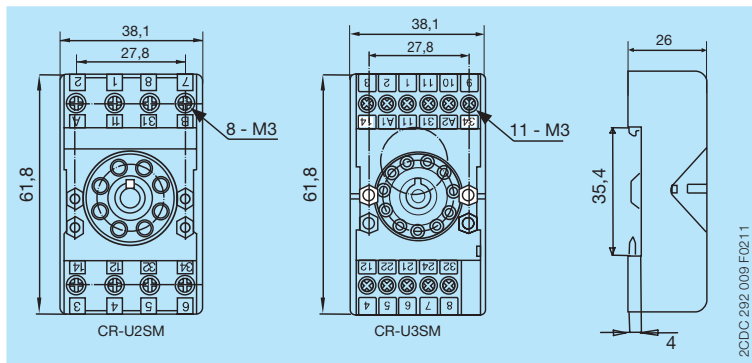
in mm



CR-UxS



CR-U3E



CR-UxSM

Further documentation

Document title	Document type	Document number
Electronic Products and Relays	Technical catalogue	2CDC 110 004 C020x
Relays CR-U	Data sheet	2CDC 117 003 D020x
Pluggable function modules CR-U	Data sheet	2CDC 117 008 D020x
Pluggable time module CR-U T	Data sheet	2CDC 117 010 D020x

You can find the documentation on the internet at www.abb.com/lowvoltage
 -> Automation, control and protection -> Electronic relays and controls
 -> Interface relays and optocouplers.

CAD system files

You can find the CAD files for CAD systems at <http://abb-control-products.partcommunity.com>
 -> Low Voltage Products & Systems -> Control Products -> Electronic Relays and Controls.

Contact us

ABB STOTZ-KONTAKT GmbH

P. O. Box 10 16 80
69006 Heidelberg, Germany
Phone: +49 (0) 6221 7 01-0
Fax: +49 (0) 6221 7 01-13 25
E-mail: info.desto@de.abb.com

You can find the address of your
local sales organization on the
ABB home page
<http://www.abb.com/contacts>
-> Low Voltage Products and Systems

Note:

We reserve the right to make technical changes or modify the contents of this document without prior notice. With regard to purchase orders, the agreed particulars shall prevail. ABB AG does not accept any responsibility whatsoever for potential errors or possible lack of information in this document.

We reserve all rights in this document and in the subject matter and illustrations contained therein. Any reproduction, disclosure to third parties or utilization of its contents – in whole or in parts – is forbidden without prior written consent of ABB AG.

Copyright© 2016 ABB
All rights reserved