

\* Try these other fine ELK products \*

**Magic Module Series**

- MM443 Magic Module, 4 Input, 4 Output, Programmable
- MM447 Automation Controller w/Voice, Caddx Interface
- MV480 Recordable Voice Module, 400 Channels
- MKHOME1 Home Control Kit for Caddx NX Controls
- MK400 Starter Kit, Includes MM443 & MK485
- MK485 Programming Kit, MB485, Cables, Software
- MK410 X-10® Transceiver Kit, Programmed MM443
- MK420 iButton™ Access Kit w/ MM443, MA100, MA101
- MA100 iButton™ 'Touchkey' Reader & Interface Pack
- MA101 iButton™ 'Touchkeys', 10 pcs w/keyring holders
- MA290 Proximity / Wiegand Data Interface to MM443
- MB485 Data Bus Interface, RS232 to RS485
- MC100 Clock / Calendar Module for MM443
- ML8 Link Interface to Caddx NX Controls
- MT100 Temperature Sensor Module for MM443
- MM220 Magic Module, 2 Input, 2 Output, Programmable

**Rust Free Sirens / Speakers**

- 1RT Speaker & Stainless Steel Enclosure
- 150RT Siren & Stainless Steel Enclosure
- 155RT Voice Siren in Stainless Steel Box

**Speakers & Sirens**

- 44 Speaker, 30 W, 8 Ohm Compact Horn
- 45 Siren, Compact Horn, 118db
- 55 Voice Siren, Compact Horn
- M120 Siren, Single Tone, 107db, Mini Horn
- SP15 Speaker, 15 watt, Small Horn
- SP30 Speaker, 30 watt, Horn
- SP35 Speaker, 20 watt, Interior
- SP40 Speaker, 40 watt, Horn
- SS15 Siren, Dual Tone, 110db, Horn
- SS30 Siren, Dual Tone, 120db, Horn
- SS36 Siren, Dual Tone, 105db, Interior

**ECHO™ Sirens & Speakers**

- 73 ECHO Speaker, 20 Watt, Interior
- 74 ECHO Dual Tone Siren, Interior
- 75 ECHO Voice Siren, Interior
- 870 ECHO Speaker, Self Amplified

**Siren & Voice Drivers**

- 100 High Performance Siren Driver
- 110 Voice Siren Driver, English & Spanish
- 120 Recordable Voice Module and Siren
- 124 Recordable Voice Module, 4 Channels

**Surge Suppressors**

- 950 Surge Suppressor, Phone & Power Line
- 951 Surge Suppressor, Phone - Single Line
- 955 Surge Suppressor, Phone - Dual Line

**Relay Modules**

- 912 Compact Relay, 12 Vdc, SPDT
- 912B Heavy Duty Compact Relay, 12/24 Vdc, SPDT
- 924 Sensitive Relay, 12/24 Vdc, DPDT
- 941 Alarm Output Director
- 960 Delay Timer Relay, 1 sec. to 60 min.

**Power Products**

- 1240 Battery, Lead Acid, 12v, 5Ah
- 1270 Battery, Lead Acid, 12v, 8Ah
- 12100 Battery, Lead Acid, 12v, 12Ah
- 12170 Battery, Lead Acid, 12v, 18Ah
- 12250 Battery, Lead Acid, 12v, 25Ah
- P112 12 Volts DC, 1 Amp Power Supply w/Enclosure
- P124 24 Volts DC, 800mA Power Supply w/Enclosure
- P1216 12 Volts DC, 1.5 Amp Power Supply
- P412 12 Volts DC, 4 Amp Power Supply
- P624 Power Supply & Battery Charger
- PD9 Power Distribution Module
- 965 Low Battery Cutoff and Power Switch
- TRG1640 Transformer, 16.5VAC @ 40 VA
- TRG2440 Transformer, 24VAC @ 40 VA

**Accessories**

- 129 Computer Sound Card Interface
- 800 Audio Amplifier, 10 Watts
- 900-2 "B" Connectors, Unfilled, 500 pcs
- 902-2 "B" Connectors, Gel filled, 500 pcs
- 980 Telephone Line Fault Monitor
- 998 Warning Alarm System Decals
- 999 Double Sided Tape
- SL1 Strobe Light, 4 colors available
- WK1 Wall Mount Kit for SL1 Strobes

For more information contact your local Distributor or:  
 ELK PRODUCTS, INC 828-397-4200 FAX 828-397-4415  
<http://www.elkproducts.com> Email: [info@elkproducts.com](mailto:info@elkproducts.com)  
 05/02

# Compact Relay

- ELK-912 (Single)
- ELK-912-12 (12 Pack)

SPDT 12 Volts D.C. Activation

**APPLICATION:**

The ELK-912 is a high quality 12 Volt DC relay. It features SPDT Form "C" heavy duty dry contacts, low current draw, and positive or negative activation.



## Compact Relay SPDT 12 Volts D.C.

- ELK-912 (Single)



- ELK-912-12 (12 Pack)



**FEATURES:**

- Heavy Duty Contact Rating.
- Form "C" Contacts SPDT.
- Low Current Draw.
- Positive Or Negative Activation.
- Great For General Purpose Switching.
- Small, Compact Size.
- Includes Double Sided Mounting Tape.
- Packed in Reusable Poly Storage Box.
- Lifetime Limited Warranty, call for details.

**SPECIFICATIONS:**

- Operating Voltage: 12 Volts D.C. Nominal.
- Current Draw: 30 milliamps.
- Minimum Pull-in Voltage: 9 Volts D.C.
- Diode Protection Across Relay Coil.
- Contact Ratings:  
 7 Amps @ 30 Volts D.C.  
 10 Amps @ 125 Volts A.C.
- Size: 1.1" X1.55" (28mm X 39mm) Ea.

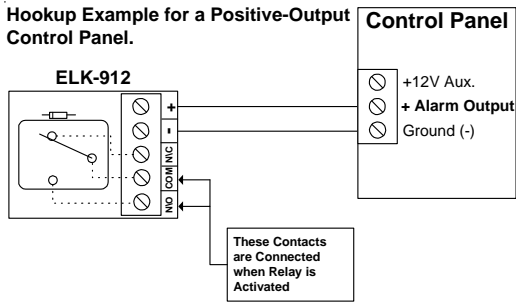
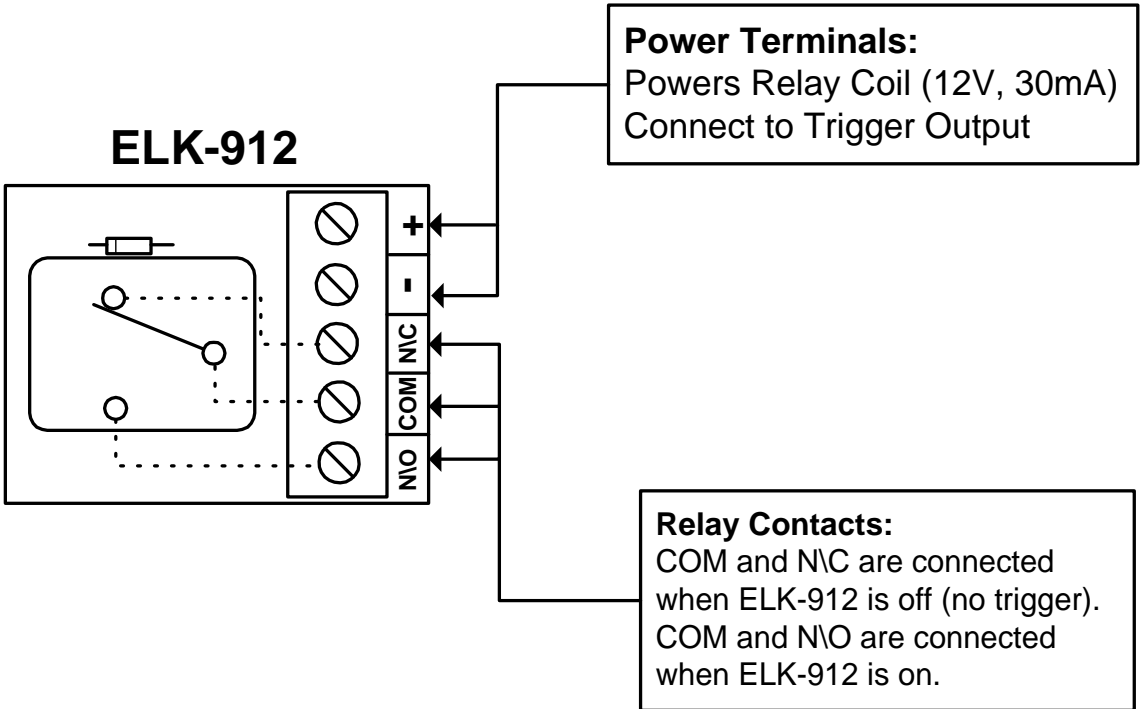
Features or Specifications subject to change without notice.



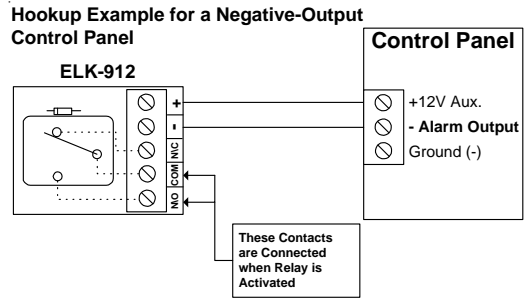
828-397-4200 Voice  
 828-397-4415 Fax  
<http://www.elkproducts.com>  
 email: [info@elkproducts.com](mailto:info@elkproducts.com)  
 PO Box 100 • Hwy. 70W • Hildebran, NC 28637 • USA

**Instructions Printed On Inside**

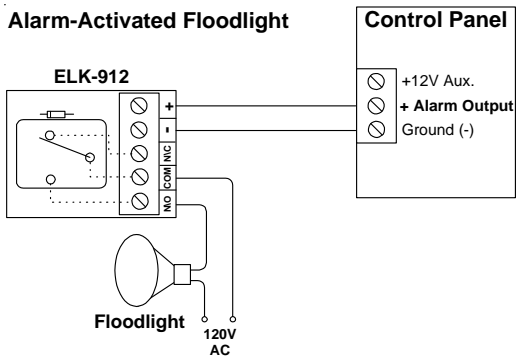
# ELK-912 APPLICATIONS AND WIRING DIAGRAMS



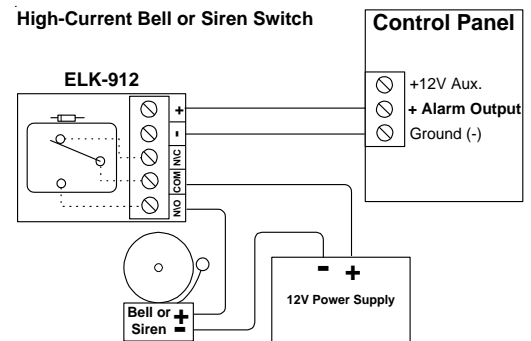
**Example 1:** If control has a positive output, connect the "-" terminal of the ELK-912 to the control's ground terminal. Connect the "+" terminal of the ELK-912 to the positive alarm output.



**Example 2:** If control has a negative output, connect the "+" terminal of the ELK-912 to the control's +12V terminal. Connect the "-" terminal of the ELK-912 to the negative alarm output.



**Example 3:** Floodlight activates whenever control panel is in alarm



**Example 4:** ELK-912 used to switch a high-current siren or bell from separate power supply.