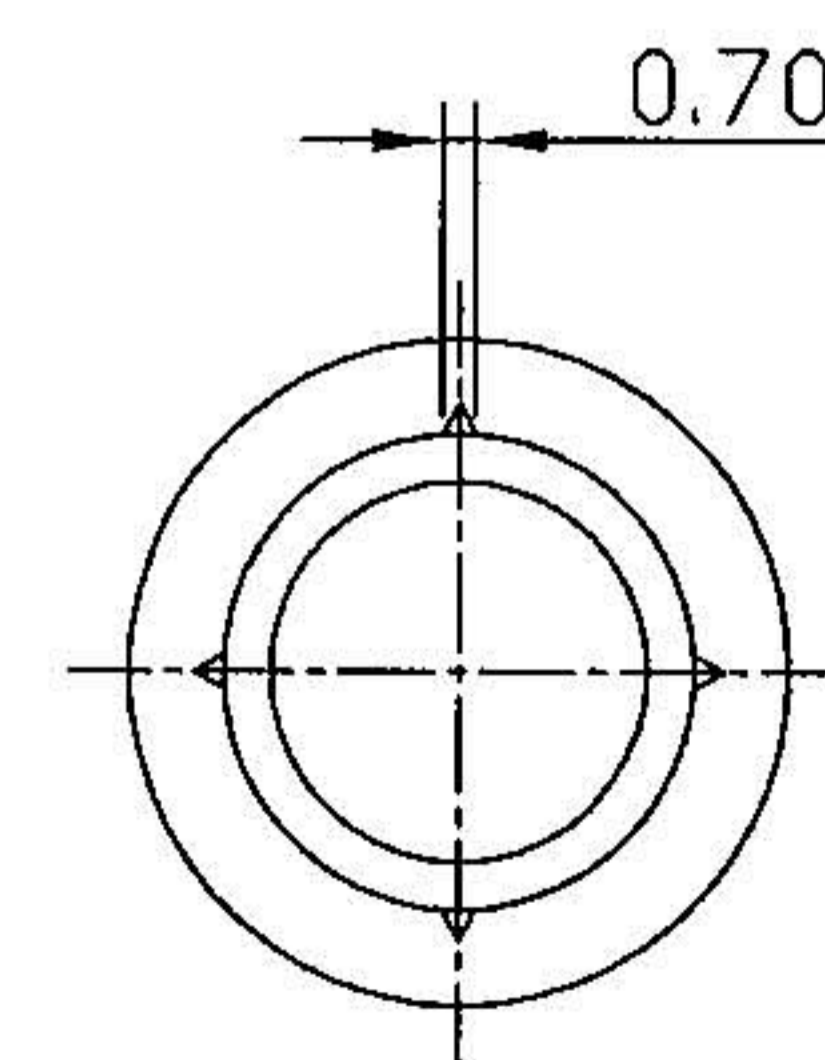
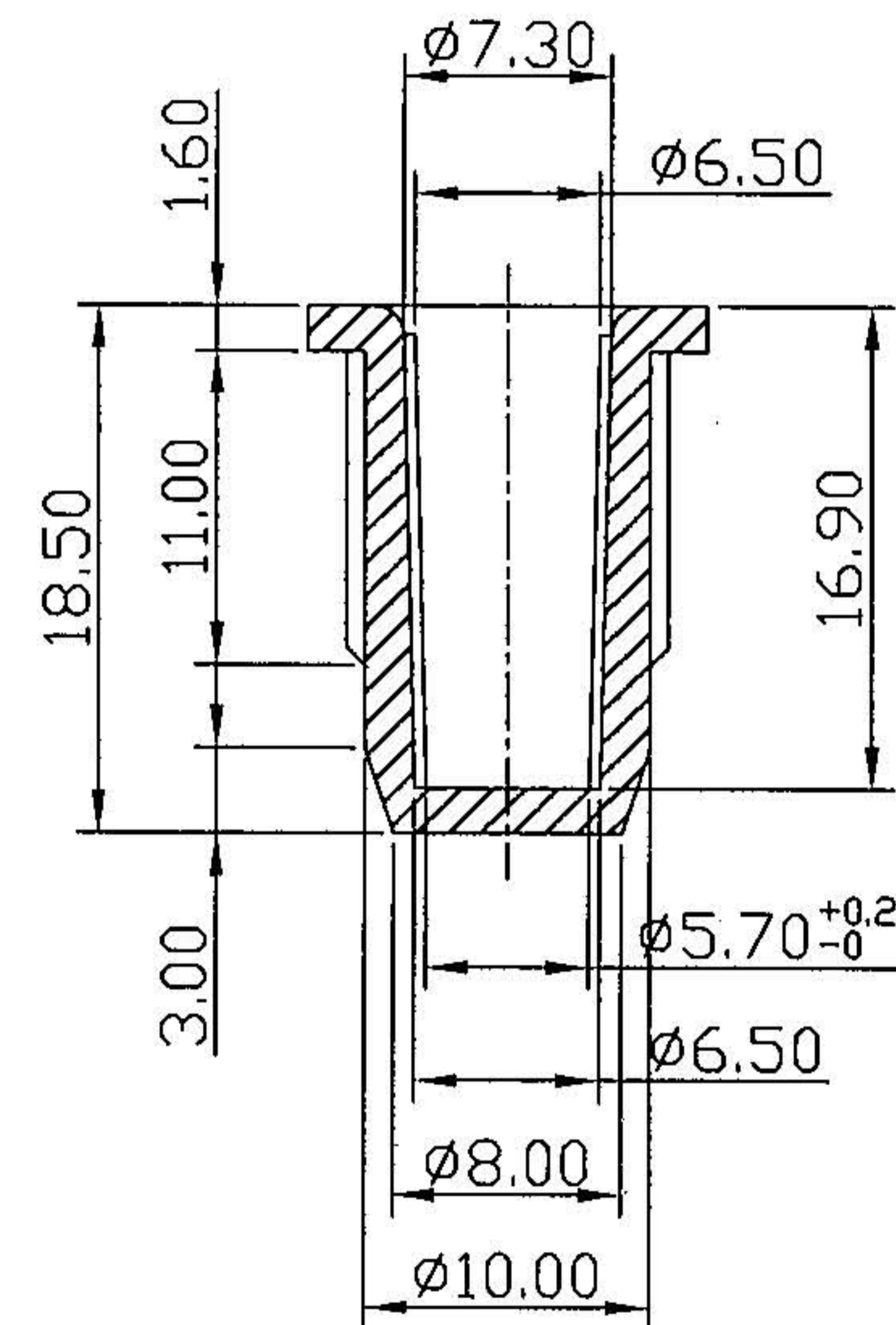
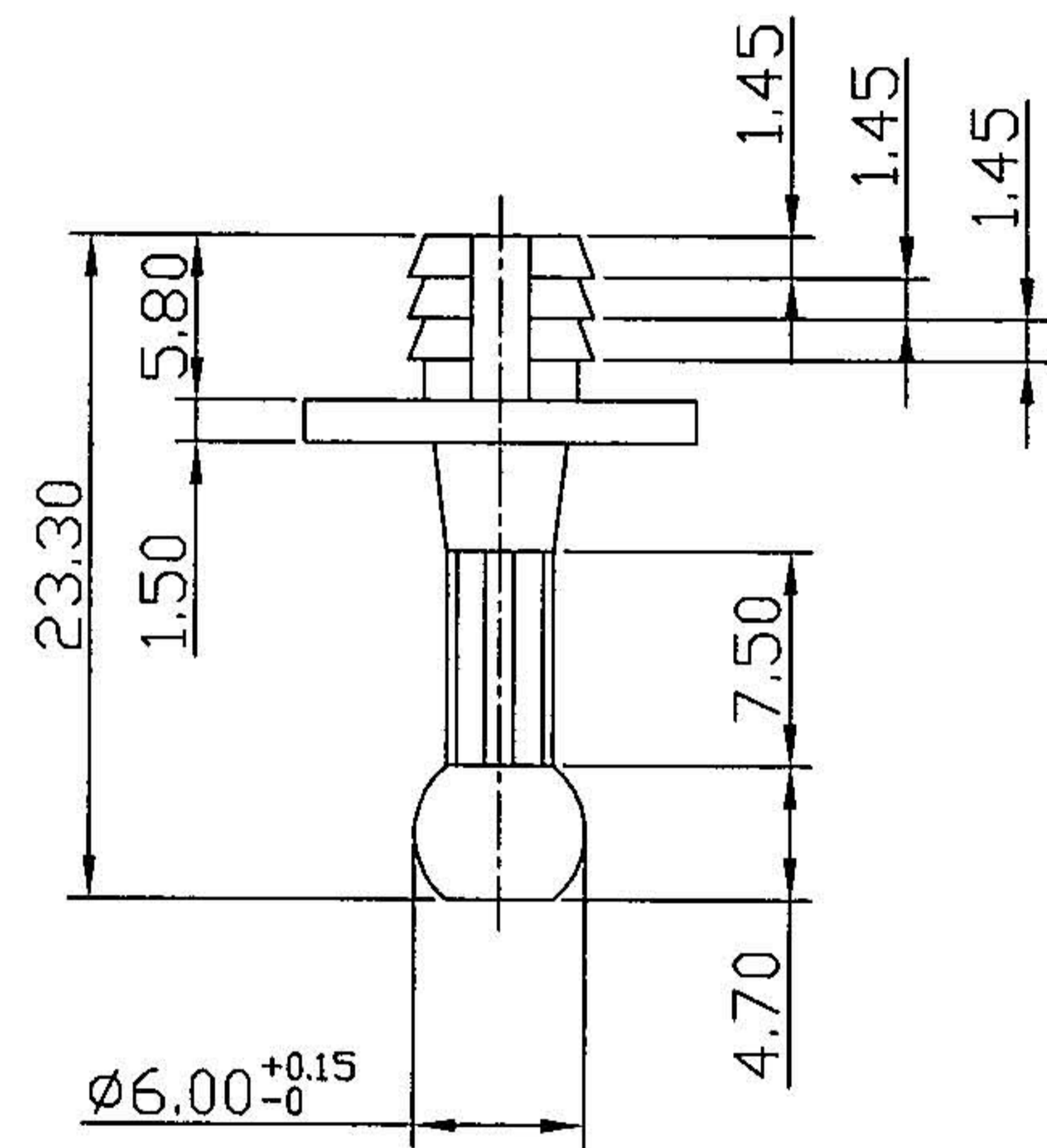
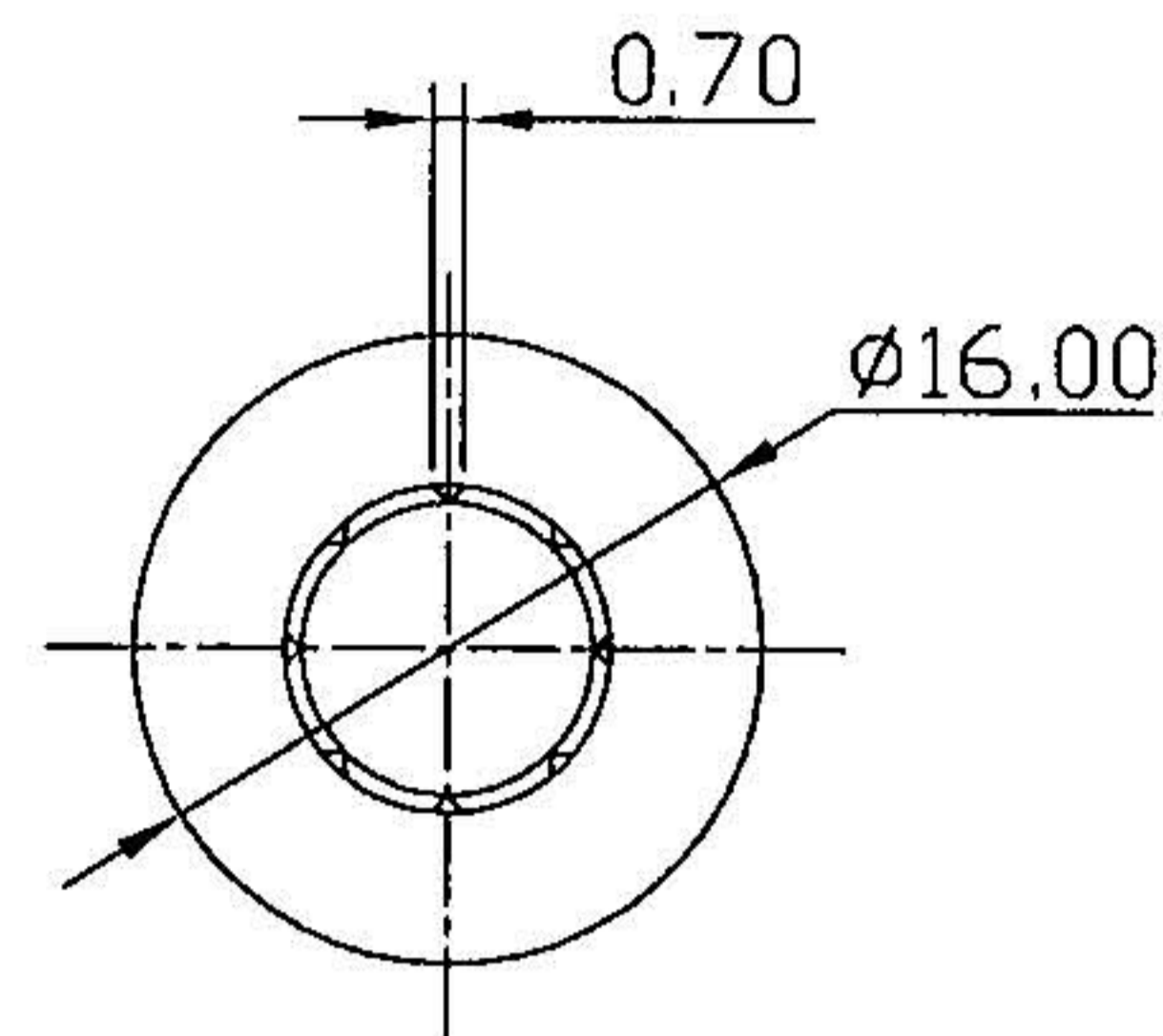
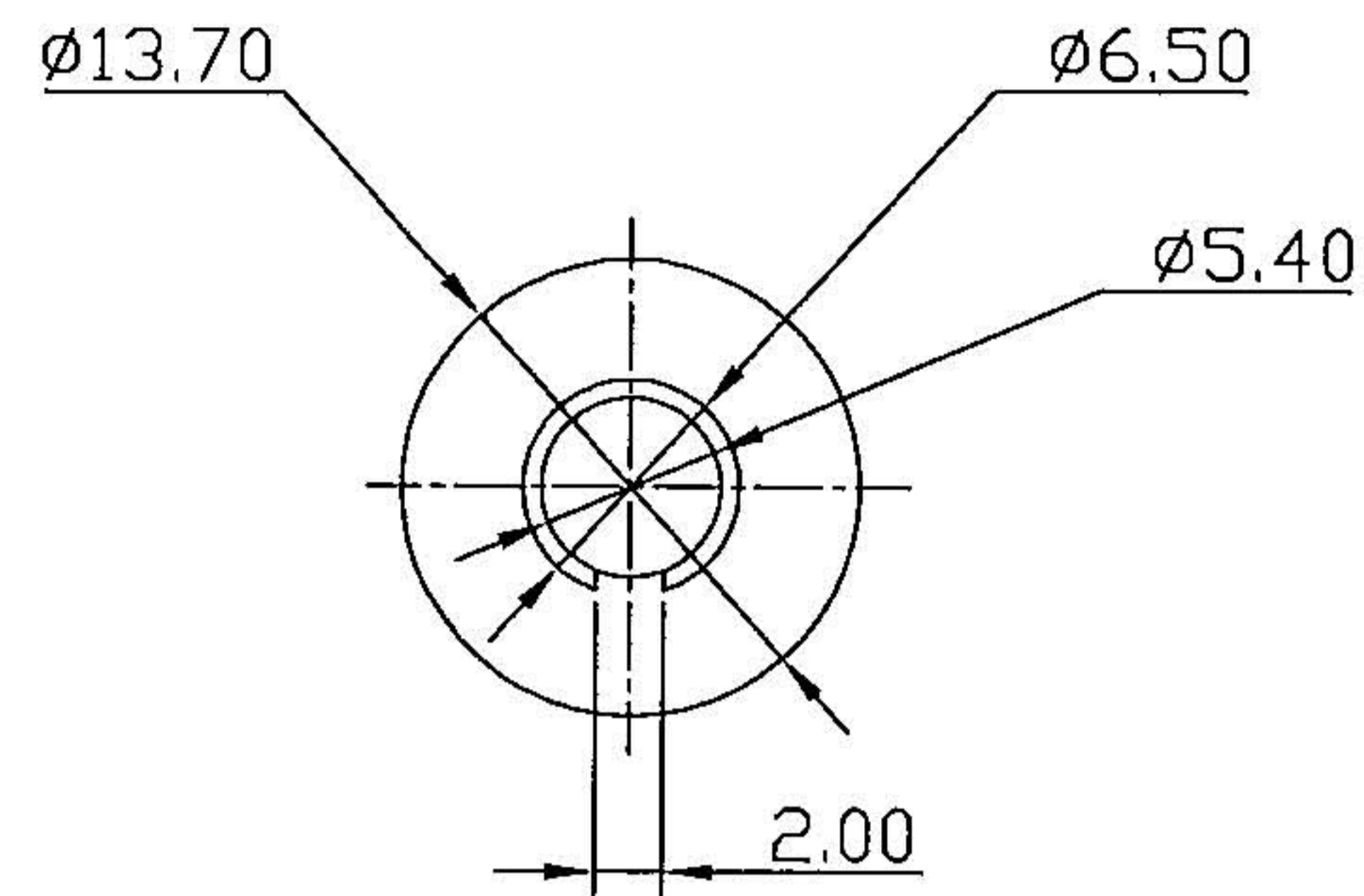


MCM FILE NO. 50-5475

THIS DRAWING AND SPECIFICATIONS, HEREIN ARE THE CONFIDENTIAL PROPERTY OF MCM AND SHALL NOT BE REPRODUCED OR COPIED OR DISCLOSED IN WHOLE OR IN PART WITHOUT WRITTEN PERMISSION.

REV.	DESCRIPTION	DRAWN / DATE	APPROVED / DATE
0	INITIAL RELEASE	03/30/2005	



Specification:
Material: NYLON66 , black

BASE DIMENSION	TOLERANCE
0mm~4.99mm	±0.1
5mm~9.99mm	±0.15
10mm~14.99mm	±0.2
15mm~20mm	±0.3
20.01mm~	±0.5

DIMENSIONS ARE IN mm (INCH)	TOLERANCES ARE FRACTIONS DECIMALS ANGLES	MATERIAL	MCM, an InOne company 650 Congress Park Drive Centerville, Ohio 45459 800-543-4330 www.mcm-in-one.com	Grill fastener	P/N 50-5475	DRAWN	DATE 03/30/2005
MOLD NO.	.x ± 0.20 .xx ± 0.12	FINISH			PROJECT NO.		
50-5475		COLOR			SCALE 1.5:1	SIZE A4	SHEET 1 OF 1