

Selection Guides	1006
General Purpose Terminal Blocks	1007
BN/BNH Modular Terminal & Fuse Blocks	1007
BN High Current Power Blocks	1011
BA One Piece Terminal/Fuse Blocks & Small Current Power Blocks	1013
BX Break-Out Modules.....	1023

Terminal Blocks



www.IDEC.com/terminalblocks



Selection Guide

Switches & Pilot Lights
 Signaling Lights
 Relays & Sockets
 Timers
 Contactors

Description	Appearance	Page	Current
Modular DIN Rail Terminal Blocks		1007	10A to 150A
Modular DIN Rail Fuse Holders		1009	10A maximum
One-Piece Power Blocks (DIN rail and surface mount)		1011	200A to 350A
One-Piece DIN Rail Terminal Blocks		1013	15A to 40A
One-Piece DIN Rail Fuse Holders		1014	10A maximum
DIN Rail Break-Out Modules		1023	1A maximum

Terminal Blocks

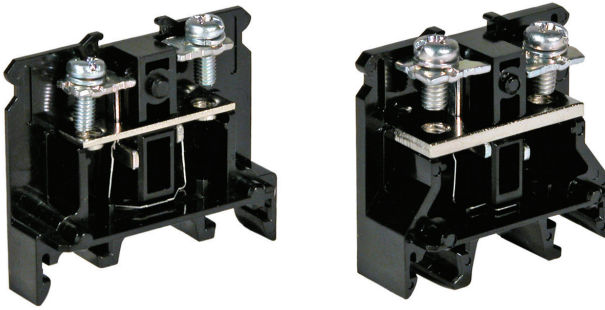
Key features of IDEC terminal blocks include:

- Molded from UL94-V0 material with excellent flame- and shock-resistance
- Mounts on a standard 35mm DIN rail
- Marking strips and dust covers are available
- Control circuit, power circuits, and fuse blocks, are available
- Sectional or one-piece construction

Circuit Breakers

Specifications	Insulation Voltage	600V
	Dielectric Strength	2,500V AC, 1 minute
	Insulation Resistance	100MΩ minimum
	Operating Temperature	-25 to +55°C
	Operating Humidity	45 to 85% RH

BNH/BN Series



Key features:

- Touch-down terminals with spring-loaded captive screws
- Jumpers available up to 50A model
- Fuse block with or without blown-fuse indicator in neon or LED
- Mounts on 35mm standard DIN rail



UL Recognized
File No. E78117



CSA Certified
File No. LR64803



File No. R9551701
J9551516 (power blocks)
R9650688 (dual-deck blocks)



Specifications

Model		BNH10W	BNH15MW	BNH15LW	BNH30W
Appearance					
Width		0.275" (7mm)	0.315" (8mm)	0.413" (10.5mm)	0.472" (12mm)
Approvals		UL, CSA, TUV	UL, CSA, TUV	UL, CSA, TUV	UL, CSA, TUV
No. of Poles		1	1	1	1
Wire Sizes		22 to 16 AWG	22 to 14 AWG	22 to 14 AWG	18 to 10 AWG
Voltage/Current		600V / 10A	600V / 10A	600V / 15A	600V / 30A
Terminals	Size	M3	M3	M3.5	M4
	Type	Touch-down	Touch-down	Touch-down	Touch-down
Mounting		35mm DIN rail	35mm DIN rail	35mm DIN rail	35mm DIN rail
Terminal Torque	(N-m)	0.6 - 1.0	0.6 - 1.0	1.0 - 1.3	1.4 - 2.0
	(in-lbs.)	5.3 - 8.9	5.3 - 8.9	8.9 - 11.5	12.4 - 17.8
End Plate		BNE15W	BNE15W	BNE15W	BNE30W
DIN Rail Stop		BNL-5	BNL-5	BNL-5	BNL-5
Dust Cover		BNC230	BNC230	BNC230	BNC230
Marking Strip	PVC	BNM7	BNM7	BNM7	BNM7
	Fiberglass	BNM9	BNM9	BNM9	BNM9
	End clip	BNM3	BNM3	BNM3	BNM3
Ring Terminal Jumpers		BNJ16	BNJ26W	BNJ46	BNJ56
Fork Terminal Jumpers		BNJ16F	BNJ26FW	BNJ46F	BNJ56F

1. BNDN1000 aluminum DIN rails are available in 1 meter lengths.
2. Marking strips are sold in 1 meter lengths.
3. Most jumpers are provided with 6 poles (except for BNH50W jumper that is 2-poles only).
4. Remove the "H" in the terminal block part number for standard screw type (ex. BNH10W becomes BN10W).

Switches & Pilot Lights

Signaling Lights

Relays & Sockets

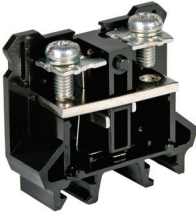


Timers

Contactors

Terminal Blocks

Circuit Breakers




Specifications, continued

Model	BNH50W	BN75W	BN150W	BNDH15W	
Appearance					
Width	0.610" (15.5mm)	0.787" (20mm)	1.024" (26mm)	0.315" (8mm)	
Approvals	UL, CSA, TUV	UL, CSA, TUV	UL, CSA, TUV	UL, CSA, TUV	
No. of Poles	1	1	1	2	
Wire Sizes	16 to 6 AWG	16 to 4 AWG	16 to 0 AWG	22 to 14 AWG	
Voltage/Current	600V / 50A	600V / 75A	600V / 150A	600V / 10A	
Terminals	Size	M5	M6	M3	
	Type	Touch-down	Hex bolt	Hex bolt	Touch-down
Mounting	35mm DIN rail	35mm DIN rail	35mm DIN rail	35mm DIN rail, surface	
Terminal Torque	(N-m)	2.6 - 3.7	3.9 - 5.4	10 - 13.5	0.6 - 1.0
	(in-lbs.)	23.1 - 32.8	34.6 - 47.9	88.8 - 119.8	5.3 - 8.9
End Plate	BNE50W	BNE75W	BNE150W	BNDE15W	
DIN Rail Stop	BNL-5	BNL-6	BNL-6	BNL-8	
Dust Cover	BNC320	BNC420	BNC520	BNC230 (top level) BNC240 (bottom Level)	
Marking Strip	PVC	BNM7	BNM7	BNM7	
	Fiberglass	BNM9	BNM9	BNM9	
	End clip	BNM3	BNM3	BNM3	
Connecting Rods	—	—	—	BNR1 10.34" (265mm) BNR2 19.69" (500mm)	
Connecting Nuts	—	—	—	BNN1 (2 pieces)	
Base Mount Brackets	—	—	—	BNDL2	
Ring Terminal Jumpers	BNJ62 (2 pole)	—	—	BNJ26	
Fork Terminal Jumpers	—	—	—	BNJ26FW	



1. BNDN1000 aluminum DIN rails are available in 1 meter lengths.
2. Marking strips are available in 1 meter lengths.
3. Most jumpers are six poles (except for BNJ62 which is 2 poles only).
4. Remove the "H" in the terminal block part number for standard screw type (ex. BNH50W becomes BN50W).

Specifications, continued

Model		BNF10SW	BNF10NW	BNF10DW
Appearance				
Width		0.591" (15mm)	0.591" (15mm)	0.591" (15mm)
Blown Fuse Indicator		None	Neon (100–300VAC)	LED (24V DC)
Approvals		UL, CSA	UL, CSA	UL, CSA
No. of Poles		1	1	1
Wire Sizes		18 to 10 AWG	18 to 10 AWG	18 to 10 AWG
Voltage/Current		600V/10A maximum	600V/10A maximum	600V/10A maximum
Terminals	Size	M4	M4	M4
	Type	Standard screw	Standard screw	Standard screw
Mounting		35mm DIN rail	35mm DIN rail	35mm DIN rail
Terminal Torque	(N-m)	1.4 - 2.0	1.4 - 2.0	1.4 - 2.0
	(in-lbs.)	12.4 - 17.8	12.4 - 17.8	12.4 - 17.8
End Plate		BNE20	BNE20	BNE20
DIN Rail Stop		BNL-5	BNL-5	BNL-5
Dust Cover		—	—	—
Marking Strip		BNM7	BNM7	BNM7
Applicable Fuse Size		1/4" x 1-1/4" (6.35 x 31.8mm)	1/4" x 1-1/4" (6.35 x 31.8mm)	1/4" x 1-1/4" (6.35 x 31.8mm)



1. BNDN1000 aluminum DIN rails are available in 1 meter lengths.
2. Fuses not included.

Dimensions

BNH Series

Part No.	Diagrams		
BNH10W BNH10W BNH15MW			
BNH15LW BNH30W			
BNH50W			

BN Series

Part No.	Diagrams		
BN75W BN150W			

Part No.	Diagrams		
BNF10SW BNF10NW BNW10DW			
BNDH15W			

Switches & Pilot Lights

Signaling Lights

Relays & Sockets

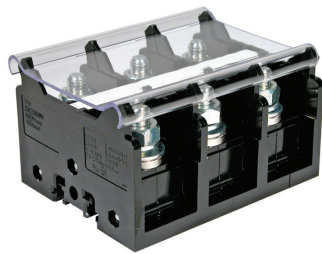
Timers

Contactors

Terminal Blocks

Circuit Breakers

BN Power Block Series



Key features:

- Up to 350A are available for DIN rail or direct mounting on panel surfaces
- 2, 3, 4 pole models available



UL Recognized
File No. E78117



CSA Certified
File No. LR64803



File No. J9551516

Specifications

Model	BN200NW# (replace # with the number of poles)	BN400NW# (replace # with the number of poles)	BN200NW#K (replace # with the number of poles)	BN400NW#K (replace # with the number of poles)
Appearance				
Width	See dimension table on page 1012	See dimension table on page 1012	See dimension table on page 1012	See dimension table on page 1012
Approvals	UL, CSA, TUV	UL, CSA, TUV	UL, CSA, TUV	UL, CSA, TUV
No. of Poles	2, 3, 4	2, 3, 4	2, 3, 4	2, 3, 4
Wire Sizes	0000 AWG	400 mcm	0000 AWG	400 mcm
Voltage/Current	600V / 200A	600V / 350A	600V / 200A	600V / 350A
Terminals	Size	M10 stud	M12 stud	M12 stud
	Type	17mm hex	19mm hex	19mm hex
Mounting	35mm DIN rail	35mm DIN rail	Surface	Surface
Terminal Torque	(N-m)	21 - 28	38 - 49	21 - 28
	(in-lbs.)	186 - 249	337 - 435	186 - 249
DIN Rail Stop	BNL-8	BNL-8	—	—
Dust Cover	Included	Included	Included	Included
Marking Strip	Included	Included	Included	Included



1. BNDN1000 aluminum DIN rails are available in 1 meter lengths.

Switches & Pilot Lights

Signaling Lights

Relays & Sockets

Timers

Contactors

Terminal Blocks

Circuit Breakers

Dimensions

Switches & Pilot Lights

Signaling Lights

Relays & Sockets

Timers

Contactors

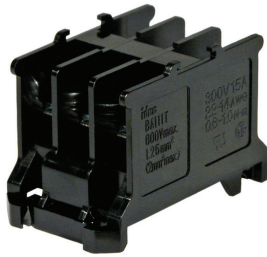
Terminal Blocks

Circuit Breakers

Part No.	Diagram									
BN200NW BN400NW										
Part No.	No. of poles	Dim A	Dim B	Dim C	Dim D	Dim E	Dim F	Dim G	Dim H	Dim I
BN200NW	2-Pole	3.04" (78mm)	1.44" (37mm)	1.29" (33mm)	0.156" (4mm)	Terminal stud M10	1.33" (34mm)	2.59" (66.5mm)	2.56" (65mm)	3.51" (90mm)
	3-Pole	4.49" (115mm)	1.44" (37mm)	1.29" (33mm)	0.156" (4mm)	Terminal stud M10	1.33" (34mm)	2.59" (66.5mm)	2.56" (65mm)	3.51" (90mm)
	4-Pole	5.93" (152mm)	1.44" (37mm)	1.29" (33mm)	0.156" (4mm)	Terminal stud M10	1.33" (34mm)	2.59" (66.5mm)	2.56" (65mm)	3.51" (90mm)
BN400NW	2-Pole	4.41" (113mm)	2.22" (57mm)	2.03" (52mm)	0.195" (5mm)	Terminal stud M12	1.48" (38mm)	3.18" (81.5mm)	3.12" (80mm)	4.68" (120mm)
	3-Pole	6.86" (176mm)	2.22" (57mm)	2.03" (52mm)	0.195" (5mm)	Terminal stud M10	1.48" (38mm)	3.18" (81.5mm)	3.12" (80mm)	4.68" (120mm)
	4-Pole	9.09" (233mm)	2.22" (57mm)	2.03" (52mm)	0.195" (5mm)	Terminal stud M10	1.48" (38mm)	3.18" (81.5mm)	3.12" (80mm)	4.68" (120mm)

Part No.	Diagram										Mounting Hole Dimension		
BN200NW#K BN400NW#K													
Part No.	No. of poles	Dim A	Dim B	Dim C	Dim D	Dim E	Dim F	Dim G	Dim H	Dim I	Dim J	Dim K	Dim L
BN200NW#K	2-Pole	3.04" (78mm)	3.9" (100mm)	4.52" (116mm)	3.9" (100mm)	Terminal stud M10	∅ 0.312" (8mm) 3 holes	1.33" (34mm)	1.44" (37mm)	1.29" (33mm)	0.156" (4mm)	2.59" (66.5mm)	2.54" (65mm)
	3-Pole	4.49" (115mm)	5.34" (137mm)	5.97" (153mm)	5.34" (137mm)								
	4-Pole	5.93" (152mm)	6.79" (174mm)	7.41" (190mm)	6.79" (174mm)								
BN400NW#K	2-Pole	4.41" (113mm)	5.54" (142mm)	6.16" (158mm)	5.54" (142mm)	Terminal stud M10	∅ 0.312" (8mm) 3 holes	1.48" (38mm)	2.22" (57mm)	2.03" (52mm)	0.195" (5mm)	3.21" (81.5mm)	3.12" (80mm)
	3-Pole	6.86" (176mm)	7.76" (199mm)	8.39" (215mm)	7.76" (199mm)								
	4-Pole	9.09" (233mm)	9.98" (256mm)	10.61" (272mm)	9.98" (256mm)								

BA Series



Key features:

- Self-contained: end plates are not required
- Rugged heavy-duty construction
- Current capacities up to 40A
- 3-pole units available as 1 piece (no endplates are needed)
- Fuse blocks with blown fuse indicators



UL Recognized
File No. E78117



CSA Certified
File No. LR64803

Specifications

Power Blocks

Model		BA111T	BA211T	BA311T	BA411S
Appearance					
Width		0.984" (25mm)	1.201" (30.5mm)	1.358" (34.5mm)	0.630" (16mm)
Approvals		UL, CSA	UL, CSA	UL, CSA	UL, CSA
No. of Poles		3	3	3	1
Wire Sizes		22 to 14 AWG	22 to 12 AWG	18 to 10 AWG	16 to 6 AWG
Voltage/ Current	UL/CSA	300V / 15A	300V / 20A	150V / 30A	600V / 40A
	JIS	600V / 16A	600V / 21A	600V / 40A	600V / 70A
Terminals	Size	M3	M3.5	M4	M5
	Type	Standard screw	Standard screw	Standard screw	Standard screw
Mounting		35mm DIN rail	35mm DIN rail	35mm DIN rail	35mm DIN rail
Terminal Torque	(N-m)	0.6 - 1.0	1.0 - 1.3	1.4 - 2.0	2.6 - 3.7
	(in-lbs.)	5.3 - 8.9	8.9 - 11.5	12.4 - 17.8	23.1 - 32.8
DIN Rail Stop		BNL-5	BNL-5	BNL-5	BNL-5
Dust Cover		BNC220	BNC220	BNC230	BNC320
Marking Strip	PVC	BNM7	BNM7	BNM7	BNM7
	Fiberglass	BNM9	BNM9	BNM9	BNM9
	End clip	BNM3	BNM3	BNM3	BNM3

1. BNDN1000 aluminum DIN rails are available in 1 meter lengths.
2. Marking strips are available in 1 meter lengths.

Switches & Pilot Lights

Signaling Lights

Relays & Sockets

Timers




Contactors

Terminal Blocks

Circuit Breakers

Specifications, continued

Fuse Blocks

Model	BAF111SU	BAF111SNU	BAF111SDU
Appearance			
Width	0.630" (16mm)	0.630" (16mm)	0.630" (16mm)
Blown Fuse Indicator	None	Neon (100 to 300V AC)	LED (24V DC)
Approvals	UL, CSA	UL, CSA	UL, CSA
No. of Poles	1	1	1
Wire Sizes	18 to 10 AWG	18 to 10 AWG	18 to 10 AWG
Current	10A maximum	10A maximum	10A maximum
Terminals	Size	M4	M4
	Type	Standard screw	Standard screw
Mounting	35mm DIN rail	35mm DIN rail	35mm DIN rail
Terminal Torque	(N-m)	1.4 - 2.0	1.4 - 2.0
	(in-lbs.)	12.4 - 17.8	12.4 - 17.8
DIN Rail Stop	BNL-5	BNL-5	BNL-5
Dust Cover	—	—	—
Marking Strip	BNM7	BNM7	BNM7
Applicable Fuse Size	1/4" x 1-1/4" (6.35 x 31.8mm)	1/4" x 1-1/4" (6.35 x 31.8mm)	1/4" x 1-1/4" (6.35 x 31.8mm)

Switches & Pilot Lights

Signaling Lights

Relays & Sockets

Timers

Contactors

Terminal Blocks

Circuit Breakers

Dimensions

Part No.	Diagrams
BA111T	
BA211T	
BA311T	
BA411S	
Part No.	Diagrams
BAF111	

Switches & Pilot Lights

Signaling Lights

Relays & Sockets

Timers







Contactors

Terminal Blocks

Circuit Breakers

Accessories




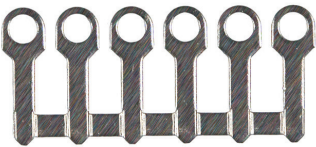
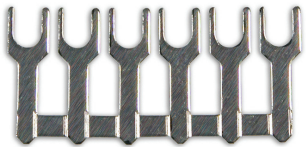



Part Numbers: End Plates, DIN Rail Stops, Stand-Offs, DIN Rail and Dust Covers


Item	Appearance	Use with	Part No.	Remarks
End Plates		BNH10W	BNE15W	
		BNH15MW		
		BNH15LW		
		BNH30W	BNE30W	
		BNF10SW	BNE20	
		BNF10NW		
		BNF10DW		
		BNH50W	BNE50W	
		BN75W	BNE75W	
		BN150W	BNE150W	
BNDH15W	BNDE15W			
DIN Rail Stops		BNH10W	BNL5 (small)	1. DIN rail stops prevent side-to-side movement. 2. The BNL-5 width is 0.375" (9mm).
		BNH15MW		
		BNH15LW		
		BNH30W		
		BNH50W		
		BNF10SW		
		BNF10NW		
		BNF10DW		
		BA111T		
		BA211T		
		BA311T		
		BA411S		
		BAF111SU		
BAF111SDU				
DIN Rail Stand-Offs		BN75W BN150W	BNL6 (medium)	1. DIN rail stops prevent side-to-side movement. 2. The BNL-6 width is 0.375" (9mm). 3. To firmly stabilize these higher profile terminal blocks, the BNL-6 has a higher profile than the BNL-5.
		BNDH15W BN200NW# BN400NW#	BNL8 (large)	1. DIN rail stops prevent side-to-side movement. 2. The BNL-8 width is 0.571" (14.5mm). 3. # = number of poles.
DIN Rail		All series	BNS3	1.46" (37mm) height
			BNS4	3.03" (77mm) height
DIN Rail		All series	BNDN1000 (length 39.37" (1mm))	1. For calculating the rail lengths required, see the instructions on page 876. 2. The DIN rail material is aluminum.
Surface Mount Bracket		BNDH15W (dual-deck)	BNDL2	Used to surface mount dual-deck terminal blocks. (BNDL2).

Switches & Pilot Lights
Signaling Lights
Relays & Sockets
Timers
Contactors
Terminal Blocks
Circuit Breakers

Accessories, continued

Part Numbers: Rods, Nuts, Marking Strips, Dust Covers, and Jumpers

Item	Appearance	Use with	Part No.	Remarks
Dust Covers		BNDH15W	BNC230	The overall length is 39.37" (1,000mm). The material is polycarbonate (UL94-V2).
		BNH10W		
		BNH15MW		
		BNH15LW		
		BNH30W	BNC320	
		BNH50W		
		BN75W	BNC420	
		BN150W	BNC520	
		BN200	BAC820	
BN400	BNC1000			
Marking Strips		All series	BNM7	Material: polyvinyl chloride (PVC) Strip dimensions are 0.37"x39" (9.5 x 1,000mm).
			BNM9	Material: fiberglass Strip dimensions are 0.37"x39" (9.5 x 1,000mm).
Marking Strip Fastener		All series	BNM3	Used to prevent marking strips from sliding off terminal block.
Ring Terminal Jumpers		BNH10W	BNJ16	Jumpers come standard with 6 points (except BNJ62).
		BNH15MW	BNJ26W	
		BNH15LW	BNJ46	
		BNH30W	BNJ56	
		BNDH15W	BNJ26W	
Fork Terminal Jumpers		BNH10W	BNJ16F	Note: insulated jumpers available - add "B" to end of part number. For example, BNJ26WB.
		BNH15MW	BNJ26FW	
		BNH15LW	BNJ46F	
		BNH30W	BNJ56F	
		BNDH15W	BNJ26FW	
M4 Thread Rod		BNDH15W	BNR1 (265mm) BNR2 (500mm)	1. Rod and connecting nuts are used to mount dual-decks collectively. 2. Each connecting nut set includes 1 hex connecting nut and 1 round connecting nut. 3. The BNR1 rod dimensions are 0.027" x 10.43" (0.7 x 265mm). 4. The BNR2 rod dimensions are 0.027" x 19.69" (0.7 x 500mm).
Connecting Nuts		BNR1 BNR2	BNN1	
Terminal Block Removal Tool			BND2	

 For accessory dimensions, see page 1018.

Switches & Pilot Lights

Signaling Lights

Relays & Sockets

Timers

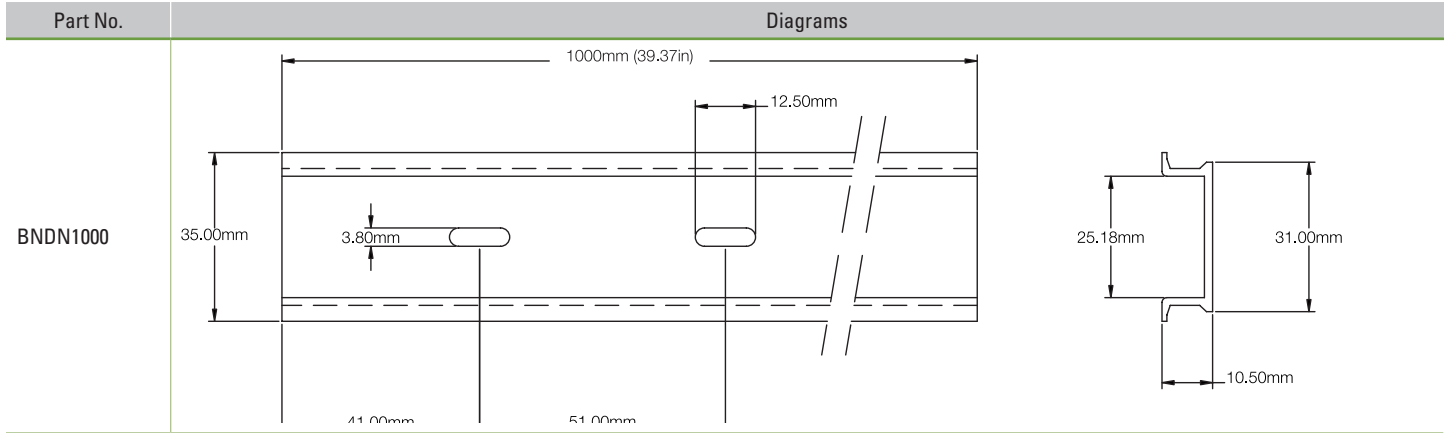
Contactors

Terminal Blocks

Circuit Breakers

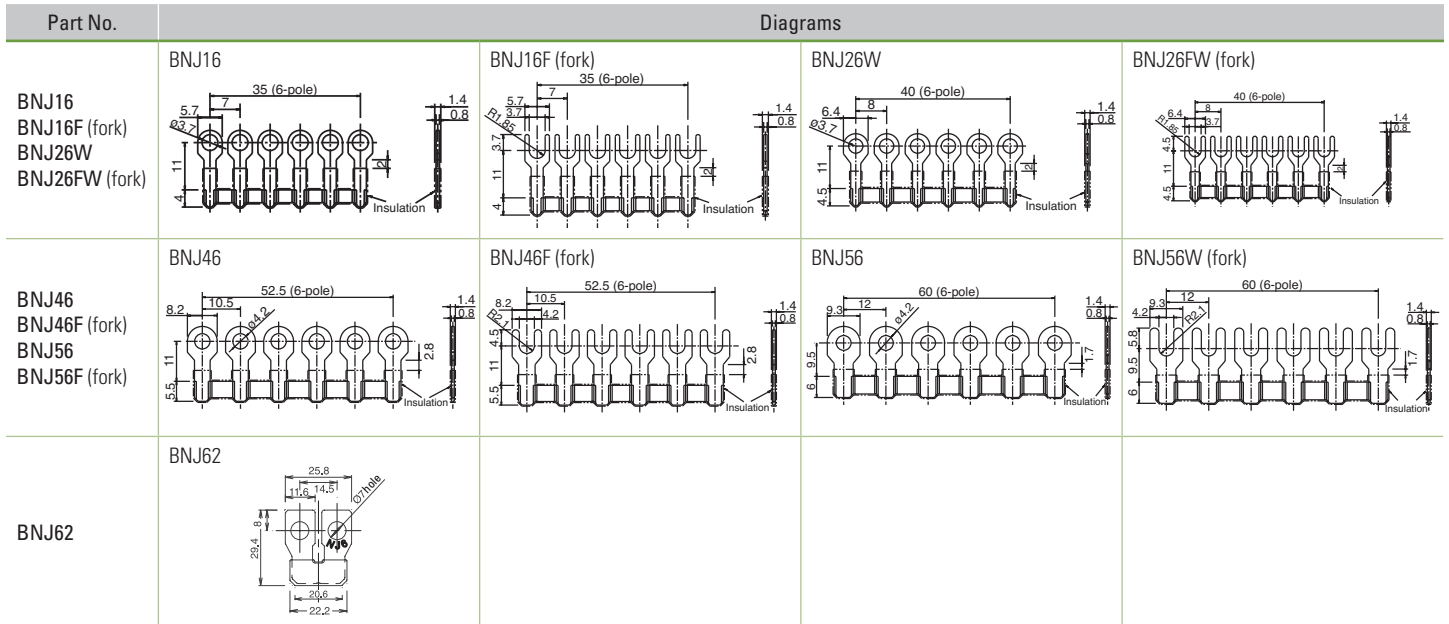
Dimensions

Dimensions: DIN Rail



Dimensions: Jumpers

BNH Series



Thickness + 0.8mm (0.0315")

Switches & Pilot Lights

Signaling Lights

Relays & Sockets

Timers

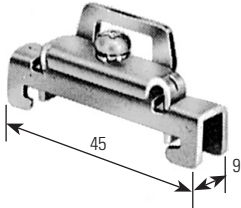
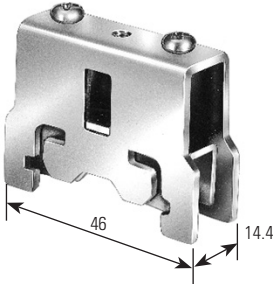
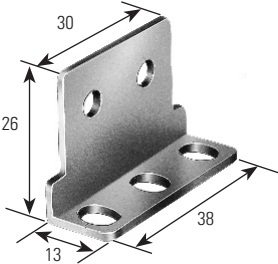
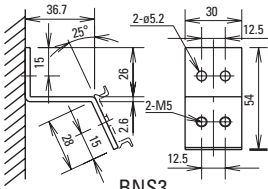
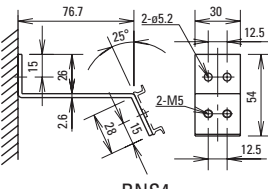
Contactors

Terminal Blocks

Circuit Breakers

Dimensions, continued

Dimensions, DIN Rail Stops and Stand-offs

Part No.	Dimensions
BNL-6	 <p>BNL-6 shown, BNL-5 same except without back crossbar</p>
BNL-8	
BNDL2	
BNS3	 <p>BNS3</p>
BNS4	 <p>BNS4</p>

Switches & Pilot Lights

Signaling Lights

Relays & Sockets

Timers

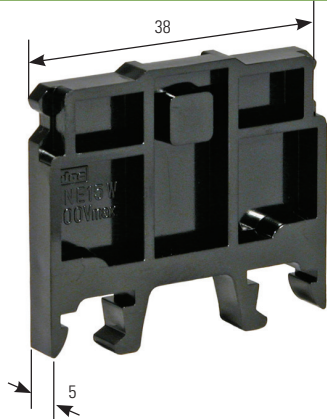
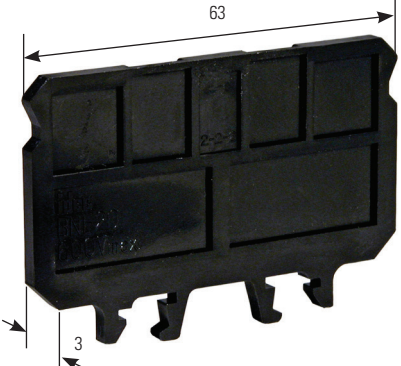
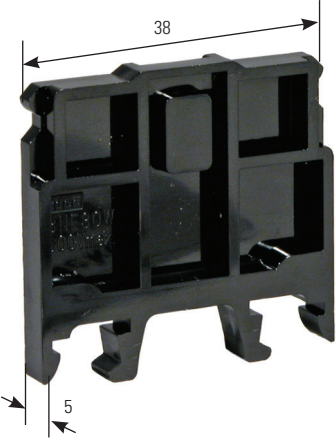
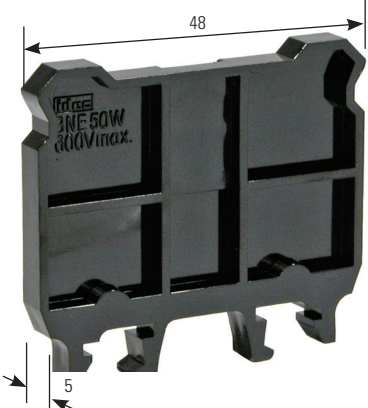
Contactors

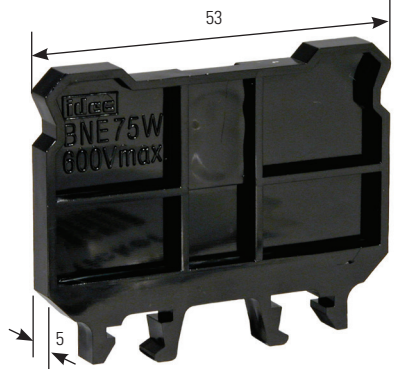
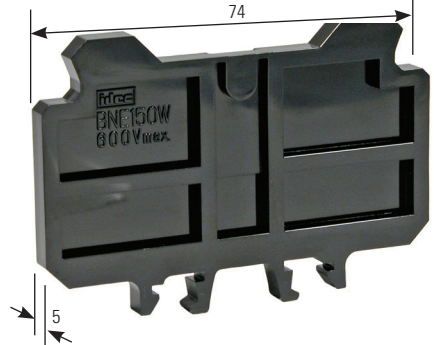
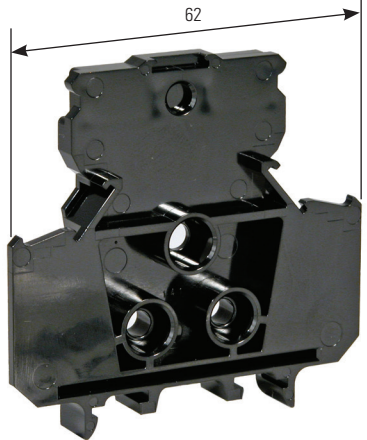
Terminal Blocks

Circuit Breakers

Dimensions, continued

Dimensions: End Plates

Part No.	Dimensions
BNE15W	
BNE20	
BNE30W	
BNE50W	

Part No.	Dimensions
BNE75W	
BNE150W	
BNDE15W	

Switches & Pilot Lights

Signaling Lights

Relays & Sockets

Timers

Contactors

Terminal Blocks

Circuit Breakers

Instructions

Wiring Touch-Down Terminal Blocks: BNH Series

Instructions	Step 1	Step 2	Step 3	Step 4
<p>Step 1. Insert the wire (or crimping terminal) into the terminal block with the terminal screws in the open position. (Use of crimping terminals is optional.)</p> <p>Step 2. Push the terminal screw down to hold the wire in place.</p> <p>Step 3. Hold the terminal screw down, and tighten with a screwdriver.</p> <p>Step 4. To remove the wire, loosen the terminal screw and pull up until wire is released.</p>				

Installation and Removal of Terminal Blocks

Instructions	Appearance
<p>Step 1. Slide the terminal blocks onto the DIN rail from one end.</p> <p>Step 2. Use BNL5 or BNL6 end clips to secure the terminal block row and to prevent side-to-side movement. BNH10W, BNH15MW, BNH15LW, and BNH30W can be installed from the middle of a DIN rail.</p> <p>Step 3. To install, place the terminal block on top of the DIN rail and push down until both edges of the terminal block snap onto the DIN rail.</p> <p>Step 4. To remove the terminal block, use the BND2 removal tool as shown on the right.</p>	<p>Removal Tool BND2</p>

Mounting Double-Deck Terminal Blocks

Instructions	Appearance
<p>DIN Rail Mount:</p> <p>Step 1. First install the end plate. Then mount the terminal blocks onto the DIN rail.</p> <p>Step 2. To prevent side-to-side movement on the DIN rail, use the BNL-8 mounting clip at both ends of the rail.</p>	
<p>Panel Mount:</p> <p>Step 1. Assemble a row of terminal blocks with end plates on exposed end(s).</p> <p>Step 2. Use BNDL2 mounting clips at both ends of a row.</p> <p>Step 3. With the two holes of the mounting clip aligned with the terminal block holes, insert a connecting rod through each hole.</p> <p>Step 4. Secure the ends of the connecting rods with the connecting nuts, as shown below.</p>	

Switches & Pilot Lights

Signaling Lights

Relays & Sockets

Timers

Contactors

Terminal Blocks

Circuit Breakers

Calculating DIN Rail Lengths

Instructions	Appearance
<p>Step 1. Add widths of all terminal blocks (reference pages 864 through 869).</p> <p>Step 2. Add the endplate thickness (usually only one).</p> <p>Step 3. Add the DIN rail stop widths (usually two are used).</p> <p>Step 4. Round to the nearest 2" (50mm) increment to allow for DIN rail hole spacing.</p> <p>Step 5. Add 1" (25mm) to ensure 0.5" (12.5mm) of clearance at each end of the DIN rail.</p>	

DIN Rail Stop Dimensions

Part No.	Width
BNL-5	.374" (9mm)
BNL-6	.374" (9mm)
BNL-8	.571" (14.5mm)

Torque Specifications and Applicable Connector Sizes

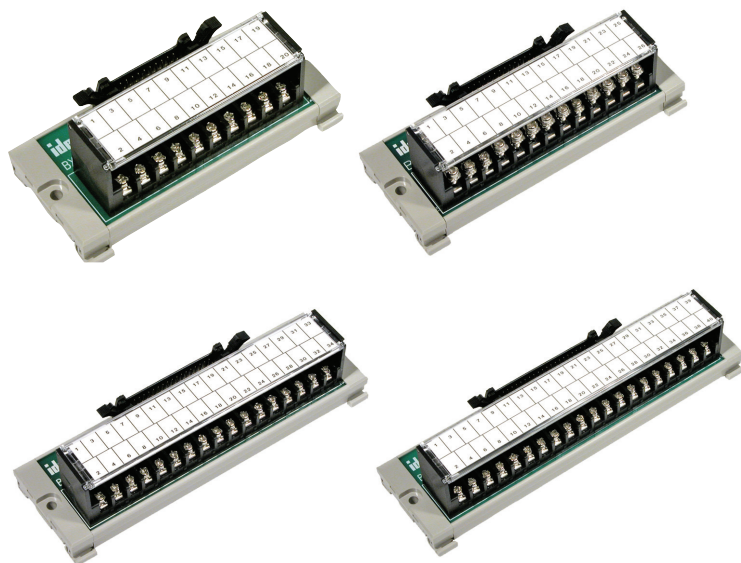
Screw Size	M3	M3.5	M4	M5	M6	M8	M10	M12	Diagram	
Torque	(N-m)	0.6 to 1.0	1.0 to 1.3	1.4 to 2.0	2.6 to 3.7	3.9 to 5.4	10 to 13.5	21 to 28	38 to 49	
	(kgf-cm)	6.1 to 10.2	10.2 to 13.3	14.3 to 20.4	26.5 to 37.7	39.8 to 55.1	102 to 138	214 to 286	388 to 500	
Dimension A	0.257" (6.6mm)	0.332" (8.5mm)	0.371" (9.5mm)	0.499" (12.8mm)	0.655" (16.8mm)	0.890" (22.8mm)	1.279" (32.8mm)	1.981" (50.8mm)		
Dimension B	0.129" (3.3mm)	0.156" (4mm)	0.176" (4.5mm)	0.176" (4.5mm)	0.234" (6mm)	0.312" (8mm)	0.429" (11mm)	0.546" (14mm)		
Dimension C	0.195" (5mm)	0.195" (5mm)	0.234" (6mm)	0.254" (6.5mm)	0.332" (8.5mm)	0.429" (11mm)	0.624" (16mm)	1.014" (26mm)		
Dimension D	Ø 0.125" (3.2mm)	Ø 0.140" (3.6mm)	Ø 0.164" (4.2mm)	Ø 0.203" (5.2mm)	Ø 0.242" (6.2mm)	Ø 0.332" (8.5mm)	Ø 0.410" (10.5mm)	Ø 0.488" (12.5mm)		

Rated Current

Applicable Wire	Rated at 60°C	Applicable Wire	Rated at 60°C
22 AWG (0.3mm ²)	3A	6 (14mm ²)	50A
20 AWG (0.5mm ²)	5A	4 (22mm ²)	75A
18 AWG (0.75mm ²)	7A	0 (38mm ²)	100A
16 AWG (1.25mm ²)	10A	00 (60mm ²)	150A
14 AWG (2mm ²)	15A	0000 (100mm ²)	200A
12 (3.5mm ²)	20A	300mcm (150mm ²)	300A
10 (5.5mm ²)	30A	400mcm (200mm ²)	350A

UL/CSA ratings are specified. The current carrying capacity depends on the rating of the wire used, as shown.

BX Series



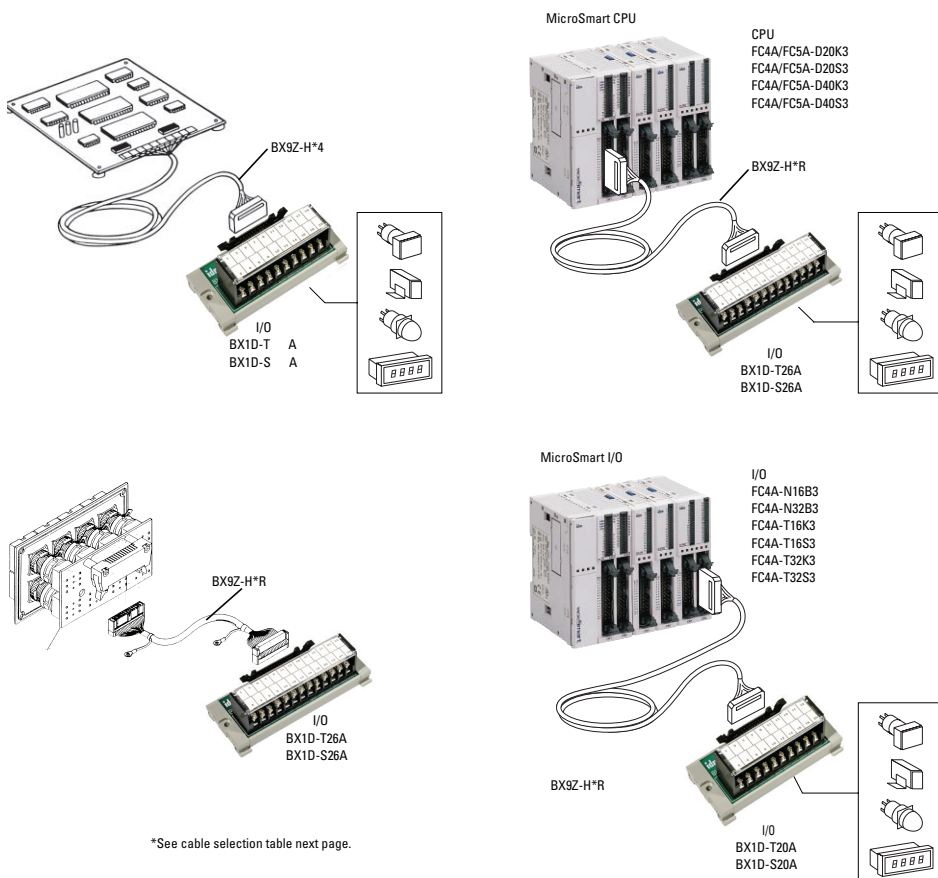
Key features:

- Unique touch-down terminals
- All units are molded from UL94-V0 material with excellent flame- and shock-resistance
- Mount on DIN rail or flat surface
- Current capacity: 1A
- Available with 16, 20, 26, 34, 40, and 50 pins
- UL and CSA
- Hinged covers with built-in marking strips

Specifications

Terminal Width	7.62mm (M3 screw)
Rated Voltage	125V
Rated Current	1A
Rated Wire Size	22-14 AWG (2mm ²)
Insulation Resistance	100MΩ minimum (500V DC)
Dielectric Strength	500V AC, 1 minute
Operating Temperature	-10 to 65°C
Humidity Range	45 to 85% RH
Housing Material	PPE resin (UL94-V0)
Terminals/Connector	PBT resin (UL94-V0)

BX Series Application Examples



Switches & Pilot Lights

Signaling Lights

Relays & Sockets

Timers

Contactors

Terminal Blocks

Circuit Breakers

Part Numbers

Part Numbers: Break-Out Modules and Cables

Accessories

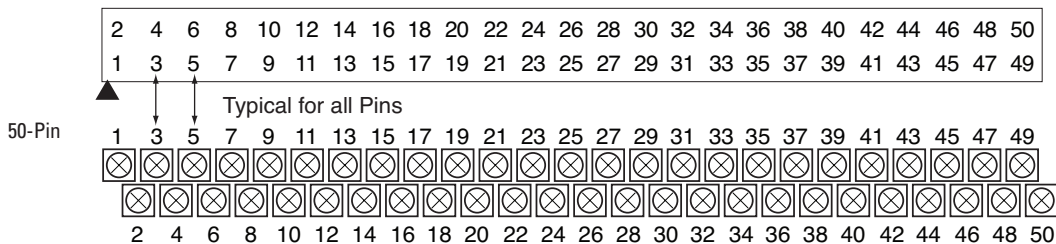
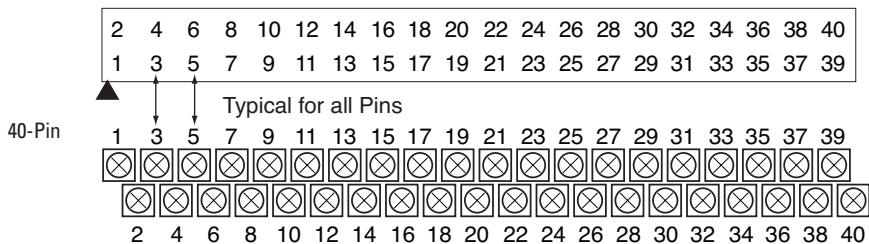
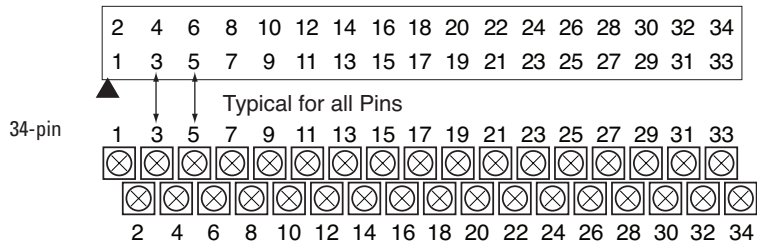
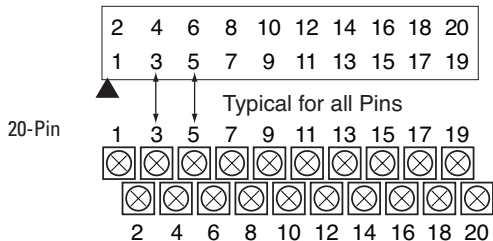
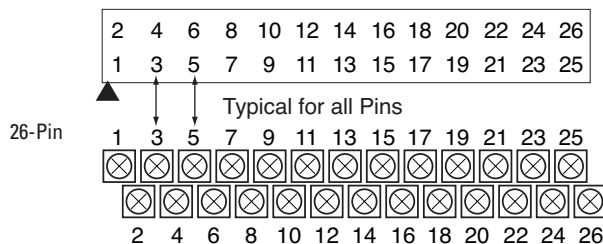
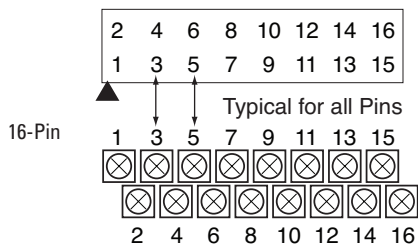
	Pins	Terminal Style	Module Part Number	Cable Part Number			Remarks
				MIL to Single Connectors	MIL to MIL Shielded	MIL to MIL Non-shielded	
Standard MIL Connector Modules	16	Touch-down	BX1D-T16A	BX9Z-H#D4	-	-	FC4A/FC5A 16 & 32 point I/O modules
		Screw	BX1D-S16A				
	20	Touch-down	BX1D-T20A	BX9Z-H#E4	FC9Z-H#A20	FC9Z-H#B20	
		Screw	BX1D-S20A				
	26	Touch-down	BX1D-T26A	FC9Z-H100C26A	FC9Z-H#A26	FC9Z-H#B26	
		Screw	BX1D-S26A				
	34	Touch-down	BX1D-T34A	BX9Z-H#F4	-	-	
		Screw	BX1D-S34A				
	40	Touch-down	BX1D-T40A	BX9Z-H#G4	-	-	
		Screw	BX1D-S40A				
	50	Touch-down	BX1D-T50A	BX9Z-H#H4	-	-	
		Screw	BX1D-S50A				

- 1. For BX terminal arrangements, see page 879.
- 2. # = length codes:
 - 100 = 39.4" (1 meter)
 - 200 = 78.7" (2 meter)
 - 300 = 118.1" (3 meter)

Part Numbers: DIN Rail and DIN Rail Stops

Description	Use with	Diagram	Part No.	Remarks
DIN Rail	All BX series		BNDN1000	1. The length is 39.37" (1,000mm). 2. For calculating the rail lengths required, see the instructions on page 876. 3. DIN rail material is aluminum.
DIN Rail Stop	All BX series		BNL6	1. Rail stops prevent side-to-side movement. 2. Use rail stops on BNDN1000 DIN rails.

Terminal Arrangements: BX Series



Switches & Pilot Lights

Signaling Lights

Relays & Sockets

Timers

Contactors

Terminal Blocks

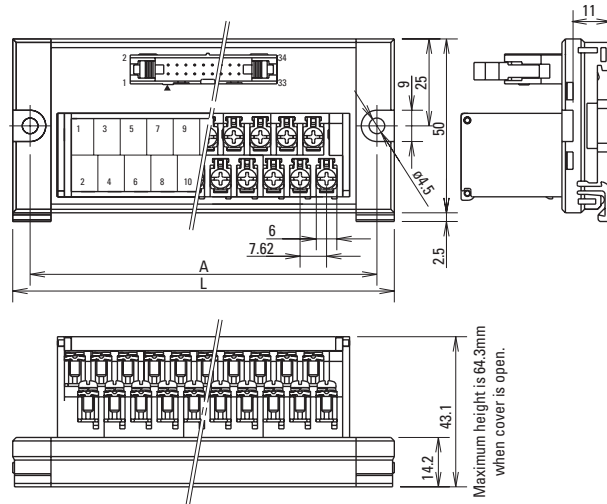
Circuit Breakers

Dimensions: BX Series

Dimensions

Part No.	Pins	Dimensions	
		L	A
BX1D-T16A	16	3.66"	3.27"
BX1D-S16A		(94mm)	(84mm)
BX1D-T20A	20	4.29"	3.89"
BX1D-S20A		(113mm)	(103mm)
BS1D-T26A	26	5.20"	4.80"
BX1D-S26A		(132mm)	(122mm)
BX1D-T34A	34	6.38"	5.98"
BX1D-S34A		(162mm)	(152mm)
BX1D-T40A	40	7.28"	6.89"
BX1D-S40A		(185mm)	(175mm)
BX1D-T50A	50	8.78"	8.39"
BX1D-S50A		(223mm)	(213mm)

Diagram



Switches & Pilot Lights

Signaling Lights

Relays & Sockets

Timers

Contactors

Terminal Blocks

Circuit Breakers