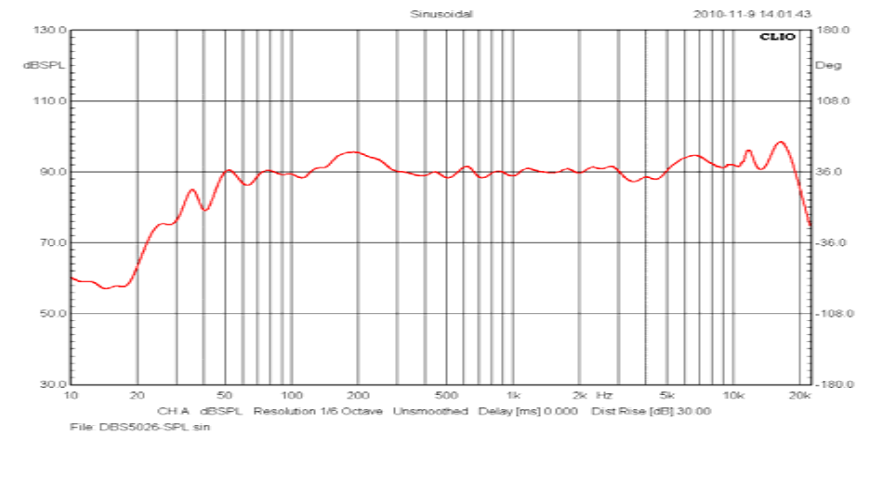
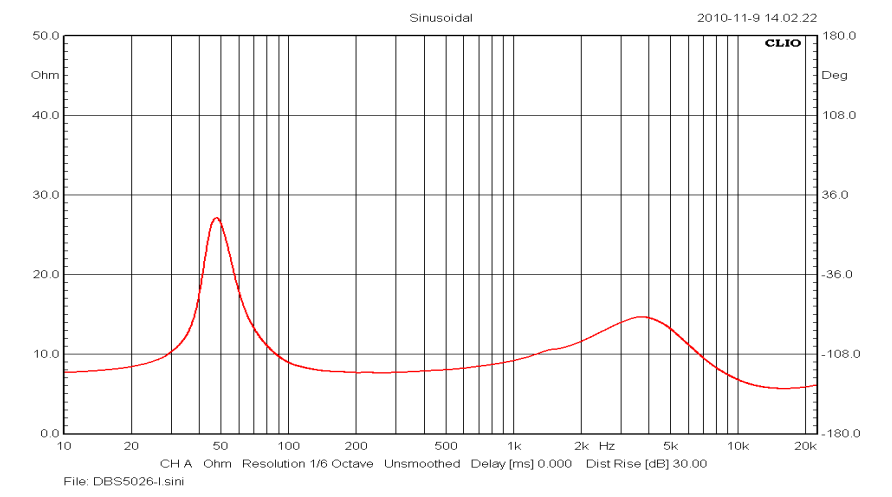
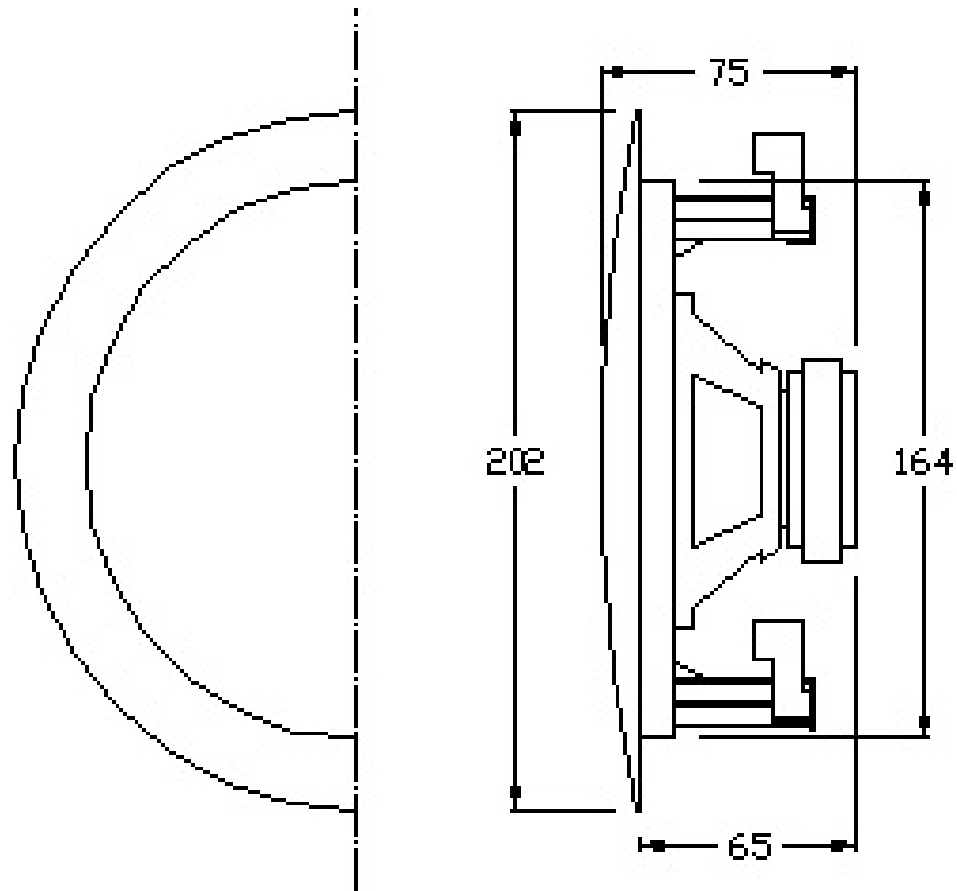




www.mcmelectronics.com

Model Number:	50-14005
5.25" 2-Way In-Ceiling Speaker System	
5.25" Woofer With PP Cone & Rubber Surround	
1" Voice Coil ,8oz Magnet	
1/2" High Compliance Polymer Tweeter	
HighImpact ABS Plastic Frame	
50 Watts Max	
6dB/Octave Crossover	
Frequency Response: 45Hz ~ 20KHz (-3dB)	
Sensitivity:89dB (M/W)	
Impedance: 8 Ohm	





ALL DIMENSIONS ARE IN MILLIMETERS