

LOCK N' A BOX

A COMPLETE SINGLE DOOR ACCESS CONTROL SYSTEM IN A CONVENIENT PACKAGE



MODEL LNB-6 MODEL LNB-12



MODEL LNB-6 CONTAINS IDEAL FOR INTERIOR DOOR USE

- ONE MODEL 600S, 750 POUND U.L. LISTED MAGNETIC LOCK
- ONE MODEL TS-2 U.L. LISTED REQUEST TO EXIT STATION
- ONE MODEL KP-100 BACKLIT DIGITAL KEYPAD WITH 100 USER CODES
- ONE 24 VOLT U.L. LISTED PLUG-IN POWER SUPPLY
- LIFETIME LIMITED WARRANTY

MODEL LNB-12 CONTAINS IDEAL FOR EXTERIOR OR INTERIOR DOOR USE

- ONE MODEL 1200S, 1500 POUND U.L. LISTED MAGNETIC LOCK
- ONE MODEL TS-2 U.L. LISTED REQUEST TO EXIT STATION
- ONE MODEL KP-400 WEATHER-PROOF DIGITAL KEYPAD WITH 100 USER CODES
- ONE 24 VOLT U.L. LISTED PLUG-IN POWER SUPPLY
- LIFETIME LIMITED WARRANTY



ALARM CONTROLS CORPORATION

DEER PARK, NEW YORK

11729

LOCK N' A BOX



24 VDC PLUG-IN
POWER SUPPLY



KP-100 KEYPAD

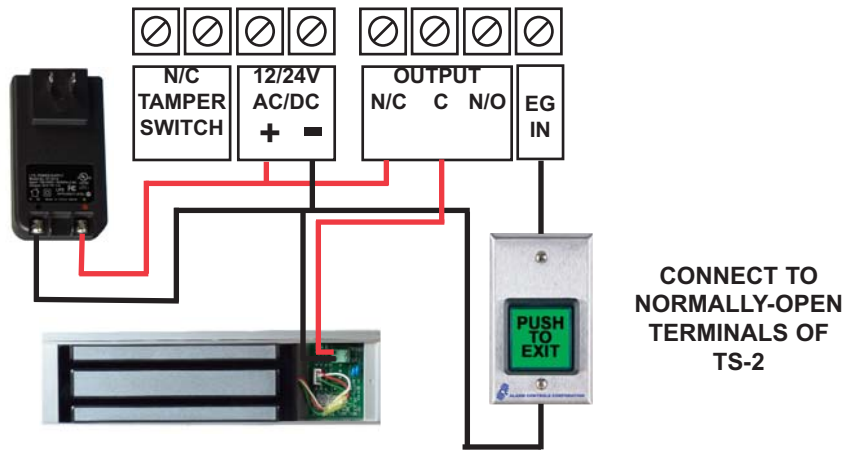


KP-400 KEYPAD

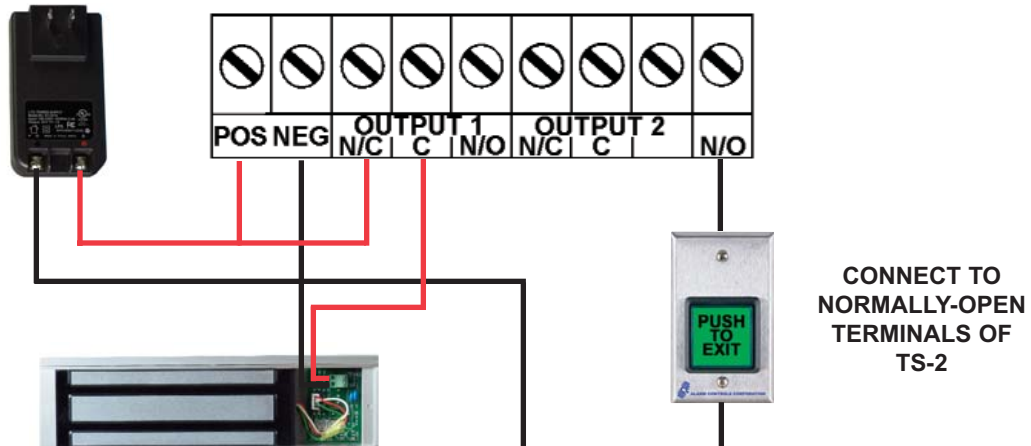


MODEL TS-2

BASIC WIRING DIAGRAM LNB-6 WITH KP-100 KEYPAD



BASIC WIRING DIAGRAM LNB-12 WITH KP-400 KEYPAD



ALARM CONTROLS CORPORATION

"QUALITY SECURITY EQUIPMENT SINCE 1971"

19 BRANDYWINE DRIVE, P.O. BOX 280, DEER PARK, NEW YORK

1 800 645-5538 631 586-4220 FAX 631 586-6500

EMAIL: INFO@ALARMCONTROLS.COM WWW.ALARMCONTROLS.COM