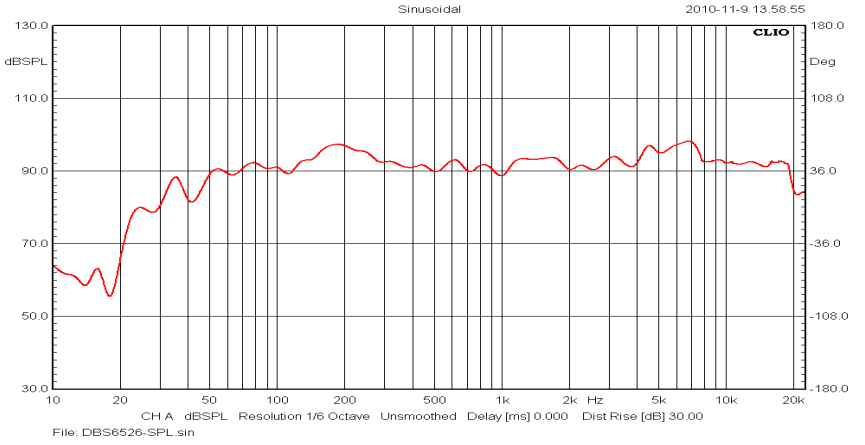
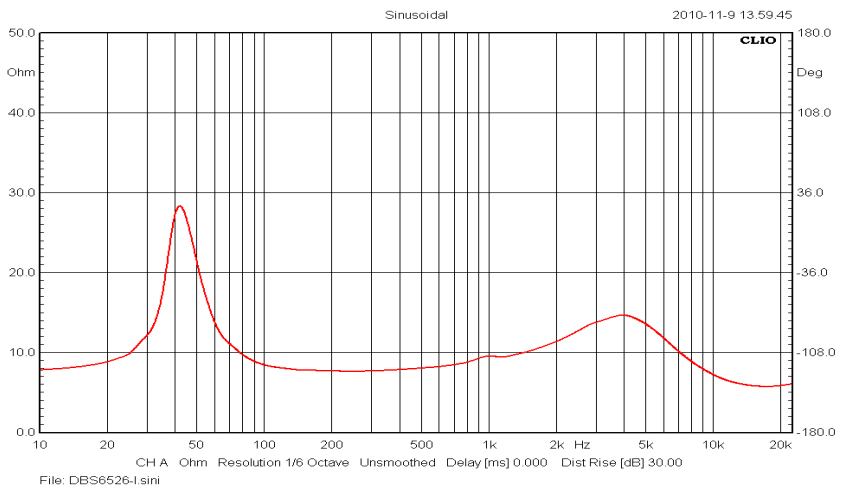
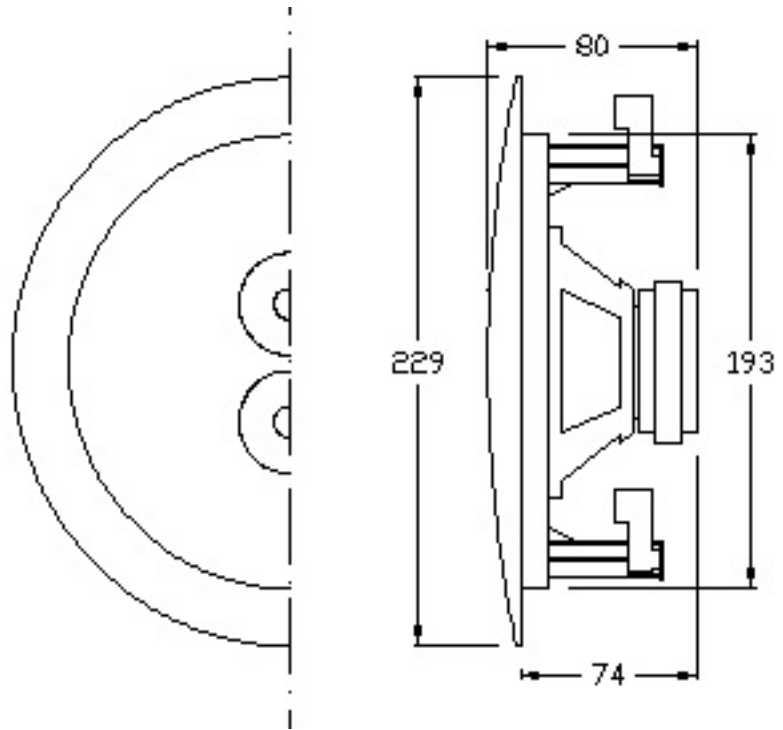


MCM CUSTOM AUDIO

www.mcmelectronics.com

Model Number:	50-14020
6.5" 2-Way Single-Point-Stereo® Ceiling Speaker	
6.5" Dual VC Woofer With PP Cone & Rubber Surround	
Dual 1" VC, 11oz Magnet	
Two 1/2" High Compliance Polymer Tweeters	
High Impact ABS Plastic Cabnet	
50 Watts RMS capacity per channel	
Dual 6dB Crossovers	
Frequency Response: 35Hz ~ 20KHz (-3dB)	
Sensitivity: 91dB (M/W)	
Impedance: 8 Ohms per channel	





ALL DIMENSIONS ARE IN MILLIMETERS