

LED Monitor

Efficient and Convenient Smart Energy Saving Monitor

▶ 22MC37D-B

22" class (21.5" diagonal)

▶ 24MC37D-B

24" class (23.5" diagonal)



Features

FLICKER-SAFE

- Eye fatigue is a major concern when working overtime on the computer. LG's Almost-Zero Flicker Free technology, allows the ability to work longer and more comfortably without straining the eyes.

READER MODE

- With a touch of a button, Reader Mode allows the reduction of blue light emissions that can be harmful to the eyes.

COLOR WIZARD

- Improves vision impaired viewers to adjust the RED and GREEN levels accordingly to easily distinguish colors.

SMART ENERGY SAVING

- LG's Smart Energy Saving Mode conserves energy by using luminance compensation algorithm.

Specifications

Native Display Resolution 1920 x 1080

High Brightness 200 cd/m²

Viewing Angle 90/65 (22MC37D-B)
170/160 (24MC37D-B)

Tilt and Base Detachable Stand

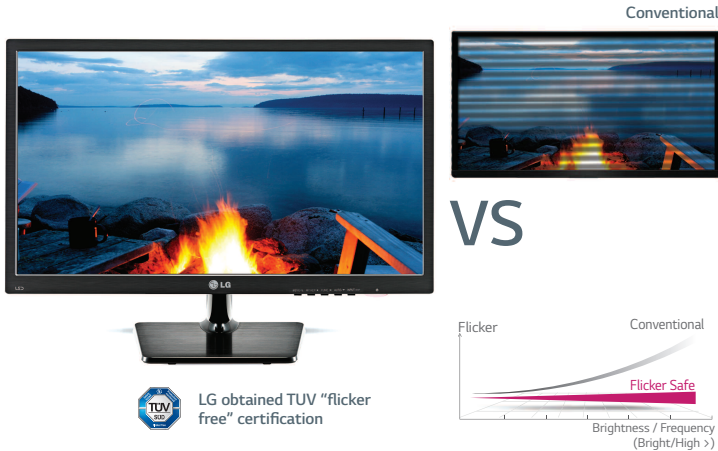
Vesa™ Compliant Wall Mountable

3-Year Limited Warranty Parts/Labor/Backlight

Convenient Enhanced Usability

Flicker SAFE FLICKER-SAFE

LG's Flicker-Safe technology protects users' eyes from fatigue by reducing flickering to almost zero.



Reader Mode

With a touch of a button, Reader Mode allows the reduction of blue light emissions that can be harmful to the eyes.



Color Wizard

Improves the vision impaired viewing experience by adjusting the RED and GREEN levels accordingly to easily distinguish colors.



Smart Energy Saving

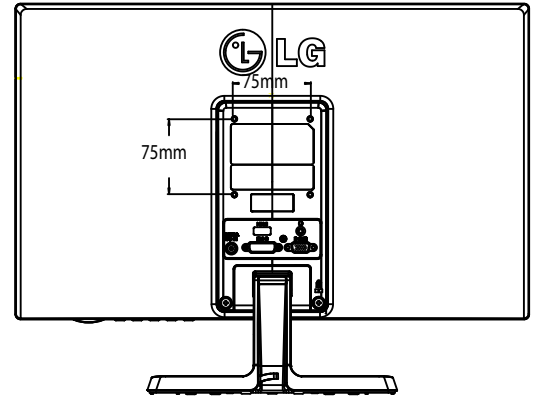
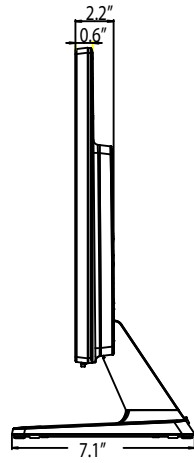
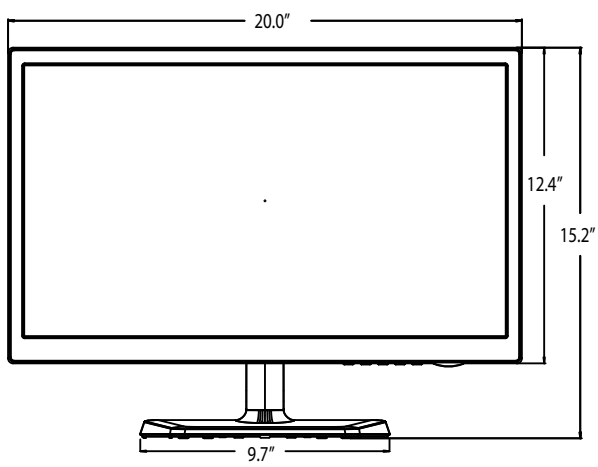
SMART ENERGY SAVING

LG's Smart Energy Saving Mode conserves energy by using luminance compensation algorithm.

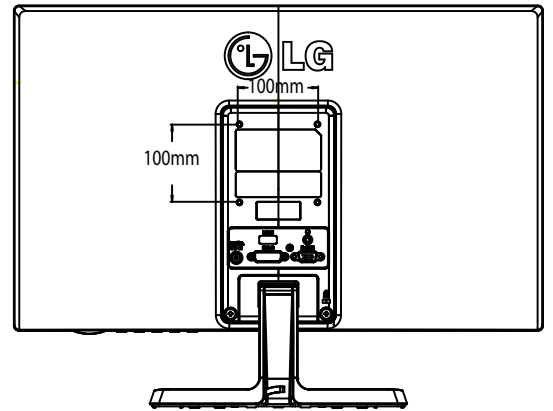
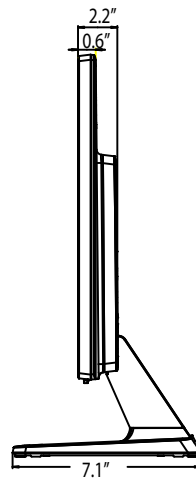
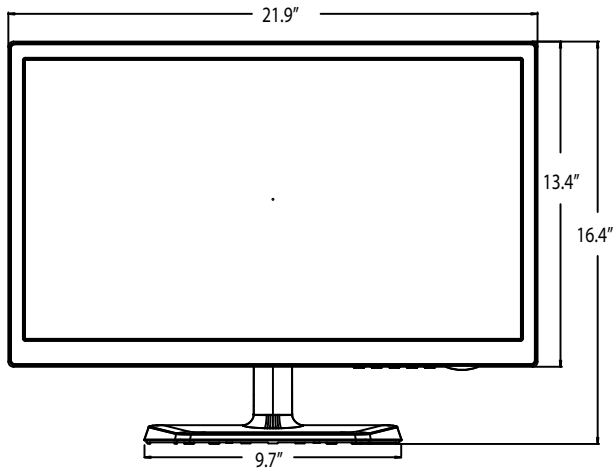


Dimensions

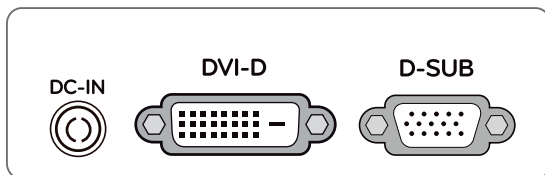
22MC37D-B



24MC37D-B



Rear Jack Pack



LED Monitor

Efficient and Convenient Smart Energy Saving Monitor

▶ 22MC37D-B

22" class (21.5" diagonal)

▶ 24MC37D-B

24" class (23.5" diagonal)

PANEL	Model	22MC37D-B	24MC37D-B
	Size	22" class" (21.5" diagonal)	24" class (23.5" diagonal)
	Panel Type	TN	
	Color Gamut (CIE1976)	72%	
	Color Depth (Number of Colors)	16.7M colors	
	Pixel pitch (mm)	0.248 x 0.248	0.2715 x 0.2715
	Aspect Ratio	16:9	
	Resolution	1920 x 1080	
	Brightness (Typ.)	200cd/m ²	
	Contrast Ratio (Original)	1,000:1	
	Dynamic CR (DFC)	5M:1	
	Response Time_Typ. (on/off)	5ms	
	Viewing Angle (CR≥ 10)	90/65	170/160
	Surface Treatment	Anti Glare ,3H	
SIGNAL INPUT	D-Sub	Yes	
	DVI-D	Yes	
	Jack Location	Back	
POWER	Type	Adapter	
	Input	100 - 240Vac, 50/60Hz	
	Normal On (EPA)	18W	19W
	Normal On (Typ.)	23W	25W
	Sleep Mode (Max)	0.3W	
	DC Off (Max)	0.3W	
FREQUENCY	D-Sub/DVI-D H-Frequency	30 - 83kHz	
	D-Sub/DVI-D V-Frequency	56 - 75Hz	
CONTROL KEY	Key Number (Power Key Included)	6	
	Key Type	Tact Type	
	LED Color(On Mode)	White	
	LED Color (Power Save Mode)	White Blinking	
	Key Location	Bottom	
LANGUAGES	English, Germanic, French, Spanish, Italian, Swedish, Finnish, Portuguese, Polish, Russian, Greek, Chinese, Japanese, Korean, Ukrainian, Portuguese (Brazil), Hindi		
SPECIAL FEATURES	Picture Mode	Yes Custom, Text, Photo, Cinema, Game	
	Reader Mode	Yes	
	Original Ratio	Yes	
	DDC/CI	Yes	
	HDCP	Yes	
	Intelligent Auto (Auto Adjustment)	Yes	
	Key Lock	Yes	
	Plug & Play	Yes	
	Color Wizard	Yes	
	Dual Smart Solution (Dual Web, Dual Display, Smart Resolution)	Yes	
	Flicker Safe	Yes	
	Smart Energy Saving	Yes	

CABINET	Model	22MC37D-B	24MC37D-B
	Color-Front	Black Hairline	
	Color-Back	Black Texture	
	Color-Stand	Black High Glossy	
	Color-Base	Black Hairline	
	Base Detachable	Yes	
	Tilt (Angle)	Yes / -5° - 20°	
	Monitor (with Stand)	20.0" x 7.1" x 15.2"	21.9" x 7.1" x 16.4"
	Monitor (without Stand)	20.0" x 2.2" x 12.4"	21.9" x 2.2" x 13.4"
	Packaging	21.9" x 15" x 4.6"	27.2" x 16.1" x 4.0"
	Wall Mount size	75mm x 75mm	100mm x 100mm
	Monitor (with Stand)	5.7 lbs	6.6 lbs
	Monitor (without Stand)	5.3 lbs	5.9 lbs
	Packaging	7.7 lbs	9.0 lbs
STANDARD CERTIFICATION	UL(cUL)	Yes	
	TUV-TYPE	Yes	
	FCC-B, CE	Yes	
	EPA 6.0	Yes	
	EPEAT	Yes (Gold)	
	Windows®	Yes (Windows 8)	
ACCESSORY	Power Cord	Yes	
	DVI-D	Yes	
UPC		719192196476	719192196490



LG Electronics U.S.A., Inc.
HE B2B Division
2000 Millbrook Drive
Lincolnshire, IL 60069

Customer Service: 888.865.3026
www.LGSolutions.com/support

Contact your LG Regional Sales Representative:
Channel: 800.897.8871
Hospitality: 800.228.1236
E-mail: info@LGSolutions.com

LG_SPEC_22-24MC37D_041512_PR



All screen images are simulated. Dimensions and weights are approximate. Design, specifications, and features subject to change without notice.

© Copyright 2015 LG Electronics USA, Inc. All Rights Reserved. "LG Life's Good" is a registered trademark of LG Corp.

ENERGY STAR is a registered trademark of the U.S. Environmental Protection Agency. In Plane Switching is a trademark of LG Philips LCD Ltd. VESA is a trademark of Video Electronics Standards Association. HDMI, the HDMI logo and High-Definition Multimedia Interface are trademarks or registered trademarks of HDMI Licensing LLC.

All other product and brand names are trademarks or registered trademarks of their respective companies.

Printed in the USA. February 2015