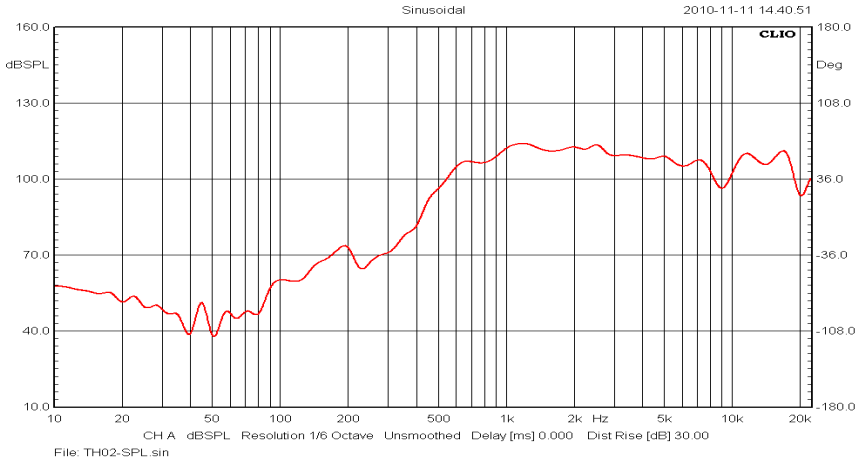
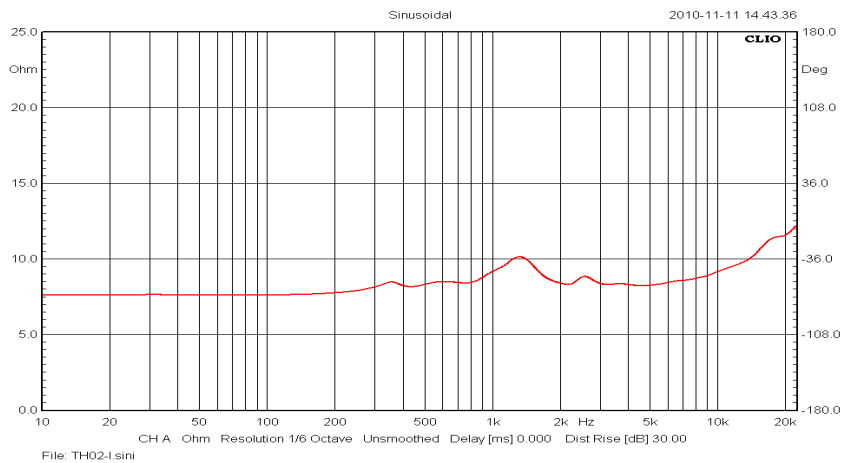
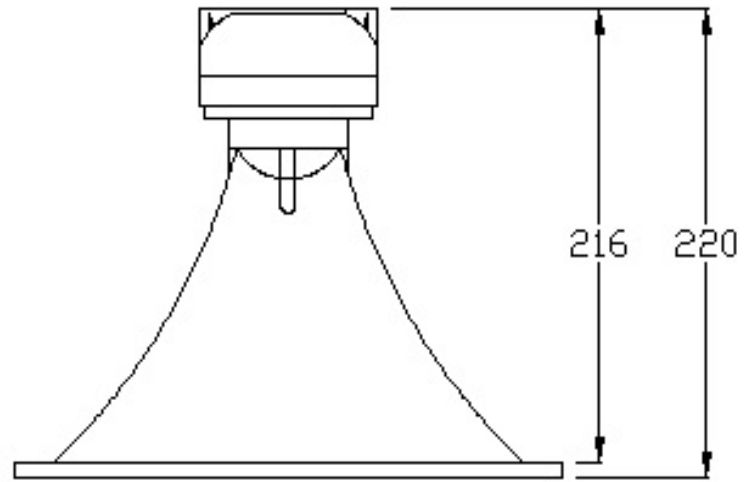
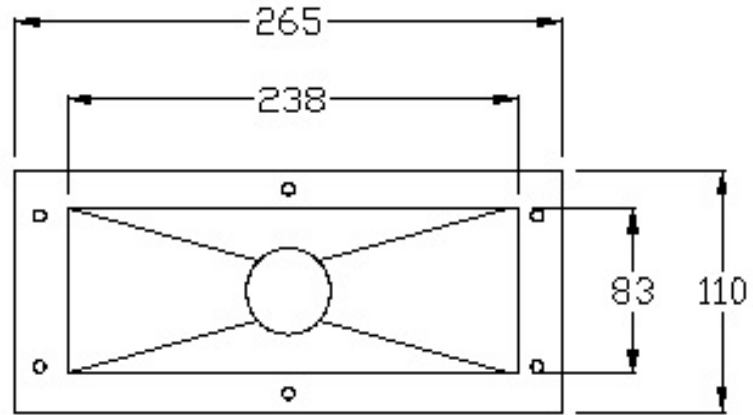


# MCM AUDIO SELECT™

www.mcmelectronics.com

<b>Model Number:</b>	<b>53-1230</b>
*1.35"Titanium Dome Horn Tweeter	
*High Compliance Response:800-20KHZ	
*15oz Magnet Structure	
*1.35"High Temperature Coil	
*SPL:103dB@1W/1M	
*200 Watts Rated Power	





ALL DIMENSIONS ARE IN MILLIMETERS