

Fullrange-woofer

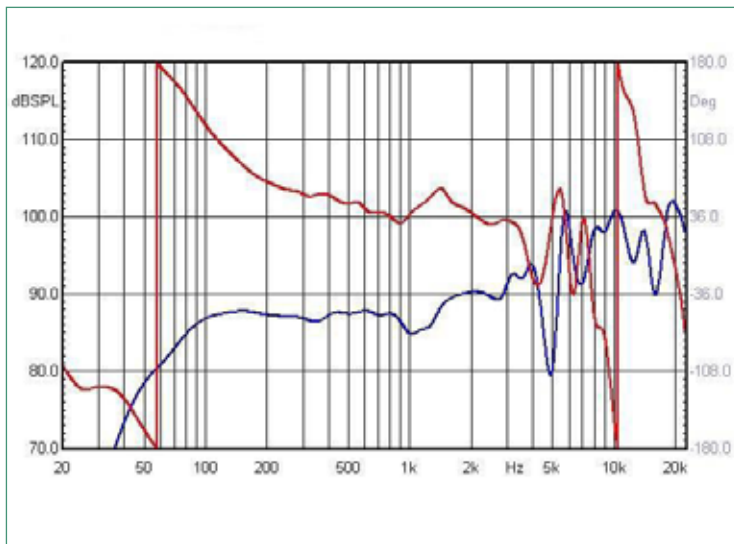
# AX-05

## Features

- 5" Fullrange Loudspeaker
- Article no. 1381650



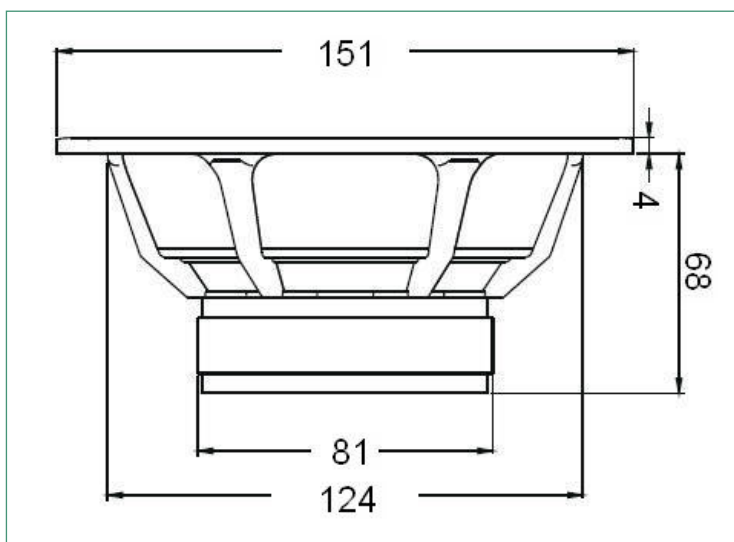
## Frequency response (0° & 30°), Impedance curve



## Technical specifications

Frequency range	fo ~ 20.000 Hz
Nominal impedance	8 Ω
Cone	Kevlar paper Mix
Surround material	Tissue
Basket material	Aluminium
Magnet material	Ferrite
Voice coil diameter	25,5 mm
Voice coil former	Kraft paper
Voice coil Length	9,6 mm
Voice Coil Layer	2 mm
Wire material	CCAW
Outside diameter	151 mm
Build in hole diameter	124 mm
Build in depth	68 mm
SPL (1W/1M)	89,3 dB

## Mechanical drawing



## Thiele and Small parameters

	Value	Symbol
fs	68	Hz
VAS	10,7	L
QMS	5,46	-
QES	0,62	-
QTS	0,56	-
Re	6	Ω
Sd	85	cm <sup>2</sup>
Cms	0,64	mm/N
Mms	5,2	g
LE	0,08	VC/mH
BL	4,6	(NA) (F/I)
Xmax	1.8	mm
D	104	mm
Free air resonance	80 ± 16	Hz