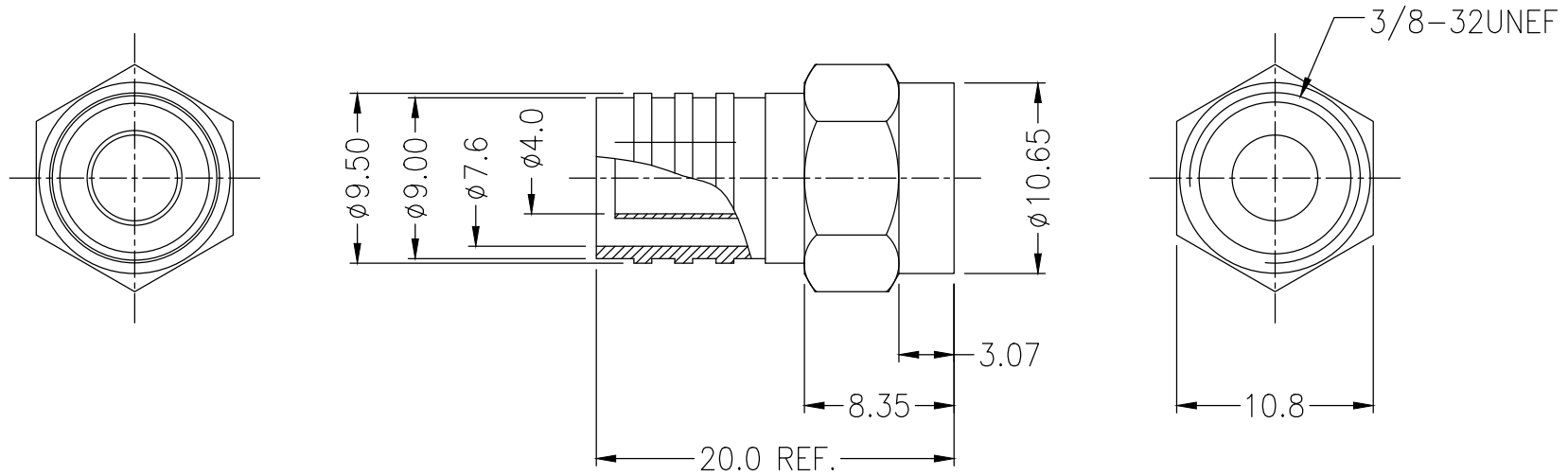


REV.	DESCRIPTION	DRAWN / DATE	APPROVED / DATE
0	INITIAL RELEASE	YANG 01/24/2003	LIN 01/24/2003
1	Change plating material	YANG 05/12/2014	FROS 05/12/2014



SEPCIFICATION:

1. F MALE CONNECTOR, FOR RG59/U CABLE.
- ① 2. NICKEL PLATED BODY WITH LARGER NUT HEAD.
(鍍鎳, 大型六角頭)
3. PACKAGE : 4000 PCS/MASTER CARTON.

RoHS

DIMENSIONS ARE IN mm [INCH]	TOLERANCES ARE FRACTIONS DECIMALS ANGLES	MATERIAL	"F" MALE CONNECTOR, RG59/U TYPE	P/N	DRAWN YANG	DATE 01/24/2003	
MOLD NO.	.X ± 0.20 [0.008] .XX ± 0.12 [0.005]	FINISH		PROJECT NO.			
33-8765-70-75		COLOR		SCALE 2.5:1	SIZE A4	SHEET 1 OF 1	QW014