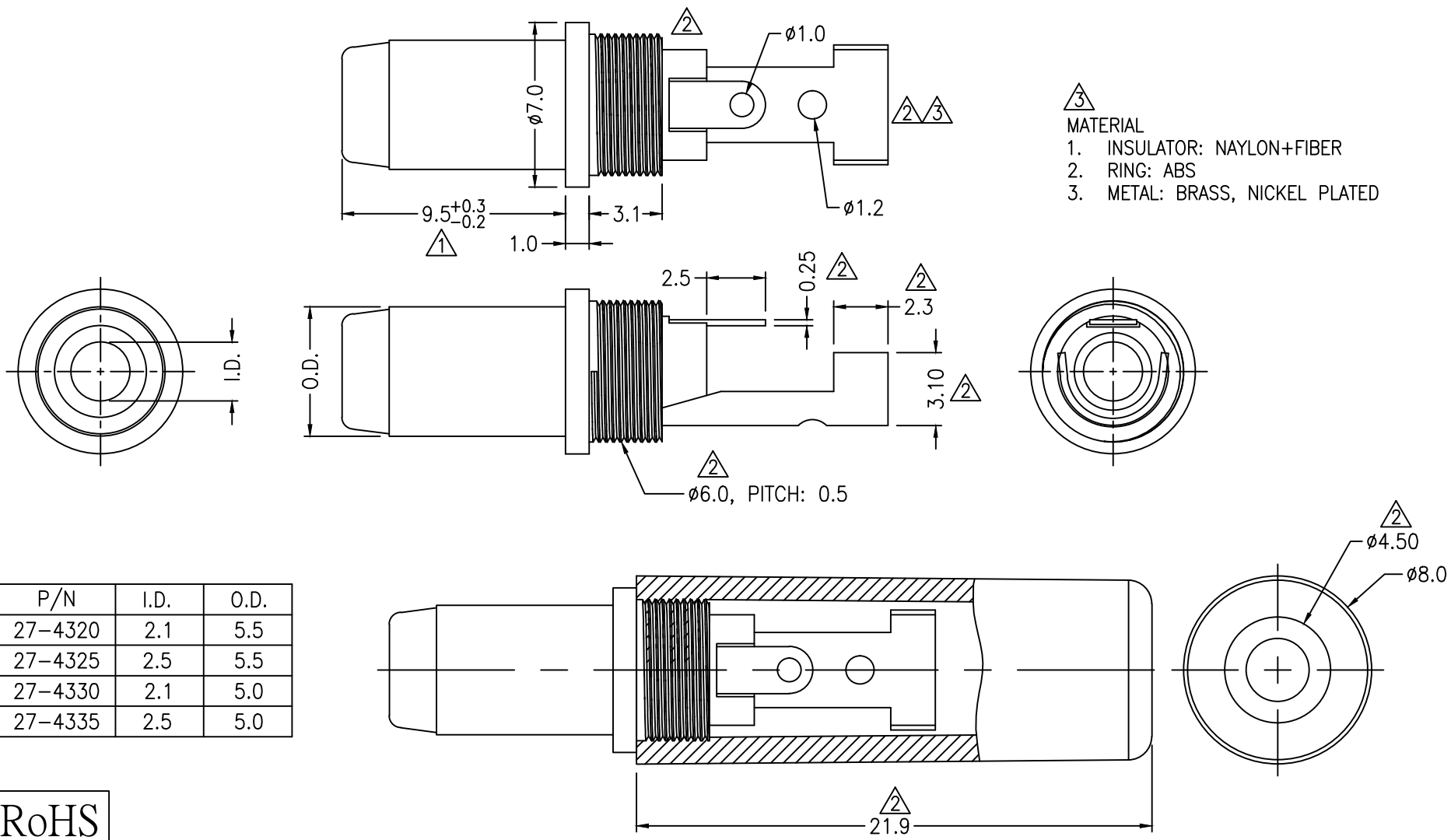


CUSTOMER MCM FILE NO. 27-4325

THIS DRAWING AND SPECIFICATIONS, HEREIN ARE THE CONFIDENTIAL PROPERTY OF SAMAR AND SHALL NOT BE REPRODUCED OR COPIED OR DISCLOSED IN WHOLE OR IN PART WITHOUT WRITTEN PERMISSION.

REV.	DESCRIPTION	DRAWN / DATE	APPROVED / DATE
1	ADD TOLERANCE	YANG 04/07/2008	LIN 04/07/2008
2	CHANGE DIM.	YANG 05/26/2009	LIN 05/26/2009
3	ADD MATERIAL, REMOVE DIMS.	FROS 07/31/2014	FROS 07/31/2014



P/N	I.D.	O.D.
27-4320	2.1	5.5
27-4325	2.5	5.5
27-4330	2.1	5.0
27-4335	2.5	5.0

RoHS

DIMENSIONS ARE IN mm [INCH]	TOLERANCES ARE FRACTIONS DECIMALS ANGLES	MATERIAL	P/N	DRAWN	DATE
MOLD NO.	.x $\pm 0.2$ [0.008] .xx $\pm 0.12$ [0.005]	FINISH COLOR	27-4325	DENNIS	05/16/2001
27-4325			DC POWER PLUG (22HP031)		
			PROJECT NO.		
			SCALE 4:1	SIZE A4	SHEET 1 OF 1
					MS062