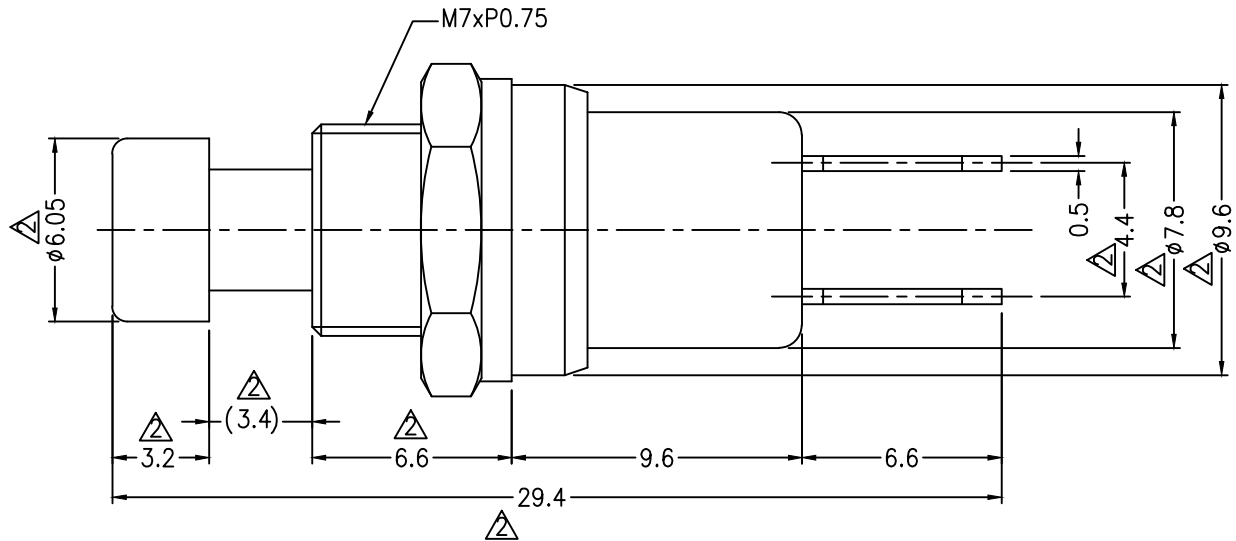


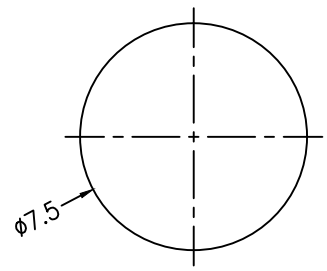
CUSTOMER MCM FILE NO. 26-665

THIS DRAWING AND SPECIFICATIONS, HEREIN ARE THE CONFIDENTIAL PROPERTY OF SAMAR AND SHALL NOT BE REPRODUCED OR COPIED OR DISCLOSED IN WHOLE OR IN PART WITHOUT WRITTEN PERMISSION.

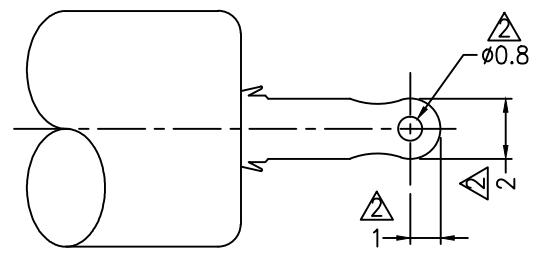
REV.	DESCRIPTION	DRAWN / DATE	APPROVED / DATE
1	ADD P/N & RoHS	YANG 02/23/2009	LIN 02/23/2009
2	Change DIM.	YANG 04/21/2011	FROS 04/21/2011



P/N	COLOR
26-665	YELLOW
26-670	WHITE
26-675	GREEN
26-680	BLUE



Panel Thickness
2.5mm Max.



- SPECIFICATION:**
1. Rating : AC 125V 1A
 2. Contact R. : 20m Ω Max.
 3. Insulation R. : DC 500V 100M Ω Min.
 4. Dielectric Strength : AC 1500V 1 minute
 5. Operation Force: 300~500g
 6. Operating Temperature: -40°C~+65°C
 7. Electrical Life : 30,000 make and break cycles at full load
 8. Mechanical Life: 70,000 make-and-break cycles

RoHS

DIMENSIONS ARE IN mm [INCH]	TOLERANCES ARE FRACTIONS DECIMALS ANGLES	MATERIAL		SUBMINI PUSH BUTTON SWITCH	P/N Δ 26-665	DRAWN YANG	DATE 12/16/2002	
MOLD NO.	± 0.2 [0.008]	FINISH			PROJECT NO.			
Δ 26-665		COLOR			SCALE 4:1	SIZE	SHEET 1 OF 1	MY018