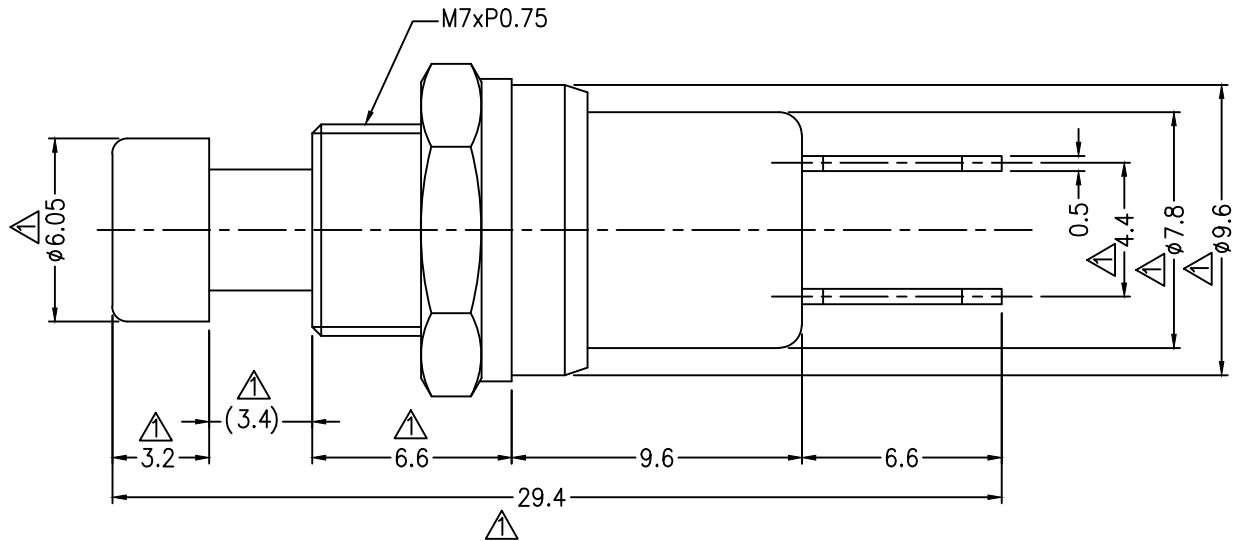


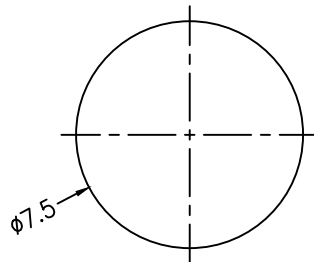
CUSTOMER MCM FILE NO. 26-675

THIS DRAWING AND SPECIFICATIONS, HEREIN ARE THE CONFIDENTIAL PROPERTY OF SAMAR AND SHALL NOT BE REPRODUCED OR COPIED OR DISCLOSED IN WHOLE OR IN PART WITHOUT WRITTEN PERMISSION.

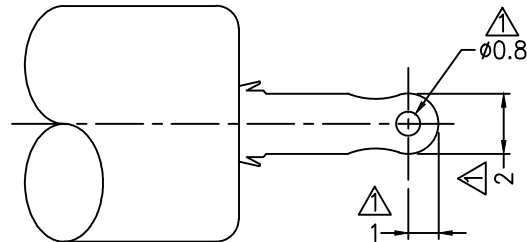
REV.	DESCRIPTION	DRAWN / DATE	APPROVED / DATE
0	INITIAL RELEASE	YANG 02/23/2009	LIN 02/23/2009
1	Change DIM.	YANG 04/21/2011	FROS 04/21/2011



P/N	COLOR
26-665	YELLOW
26-670	WHITE
26-675	GREEN
26-680	BLUE



Panel Thickness
2.5mm Max.



SPECIFICATION:

1. Rating : AC 125V 1A
2. Contact R. : 20m Ω Max.
3. Insulation R. : DC 500V 100M Ω Min.
4. Dielectric Strength : AC 1500V 1 minute
5. Operation Force: 300~500g
6. Operating Temperature: -40°C~+65°C
7. Electrical Life : 30,000 make and break cycles at full load
8. Mechanical Life: 70,000 make-and-break cycles

RoHS

DIMENSIONS ARE IN mm [INCH]		TOLERANCES ARE FRACTIONS DECIMALS ANGLES		MATERIAL		P/N		DRAWN		DATE	
MOLD NO.		± 0.2 [0.008]		FINISH		26-675		YANG		02/23/2009	
26-675				COLOR		SUBMINI PUSH BUTTON SWITCH		PROJECT NO.		MY018	
						SCALE 4:1		SIZE		SHEET 1 OF 1	

