

# 10.0 W/C technical data sheet



OmniMount, an innovator of A/V mounts and furniture for more than a quarter century, is the choice of professional installers and the brand most recommended by flat panel manufacturers. The Stainless Steel Series is our patented top-of-the-line speaker mounting solution which combines quality, durability and ease-of-installation. The 10.0 W/C is the proven choice for mounting bookshelf speakers up to 10 lbs (4.5 kg) on a wall or ceiling.

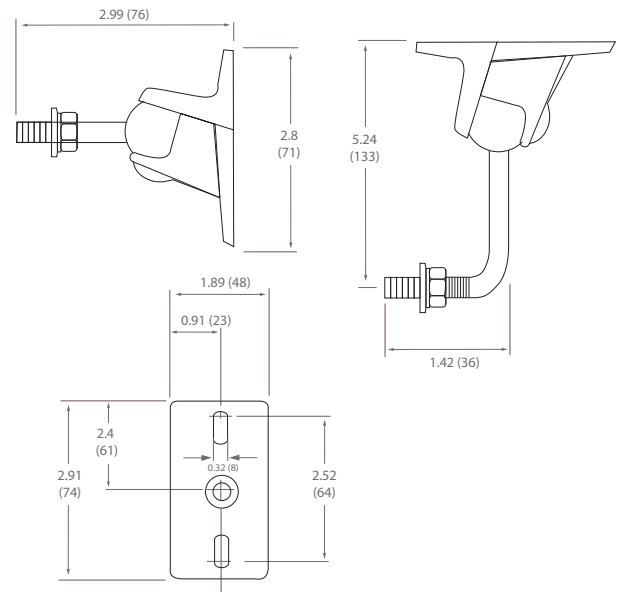


## Product Specifications

**Fits most:** Bookshelf speakers  
**Supports up to:** 10 lbs (4.5 kg)  
**Thread size:** 1/4" - 20  
**Base rotation:** 360°  
**Pan:** 180°  
**Tilt:** +/-30°  
**Color:** Black

## Product Benefits

- Polymer-injected ball controls resonance frequencies for better sound
- Ball and clamp design for greater mounting flexibility
- Includes clamp and jaw
- Stainless steel hardware for strength and durability
- Suitable for all-weather use
- Includes complete hardware kit



	Color	Stock Code	Packaging UPC	MC UPC
Americas	Black	1001078BKFE-1	728901007071	728901700552
International	Black	1001071BK-EU	728901013034	728901706110

	Dimensions WxDxH inches (mm)	Wt lbs (kg)
Product Box	2.2 x 7.5 x 9.3 (55x191x236)	.7 (.3)
Master Carton	8.7 x 7.5 x 11.5 (222x191x292)	(2.3)

Box Contents	Qty
Clamp assembly	1
Ceiling ball shaft	1
Wall ball shaft	1
Polymer ball	1

Box Contents	Qty
Mounting plate	1
Complete installation hardware kit	1
Instruction Manual	1