

DS Series Short Roller Ball



DS-01
Short Roller Ball

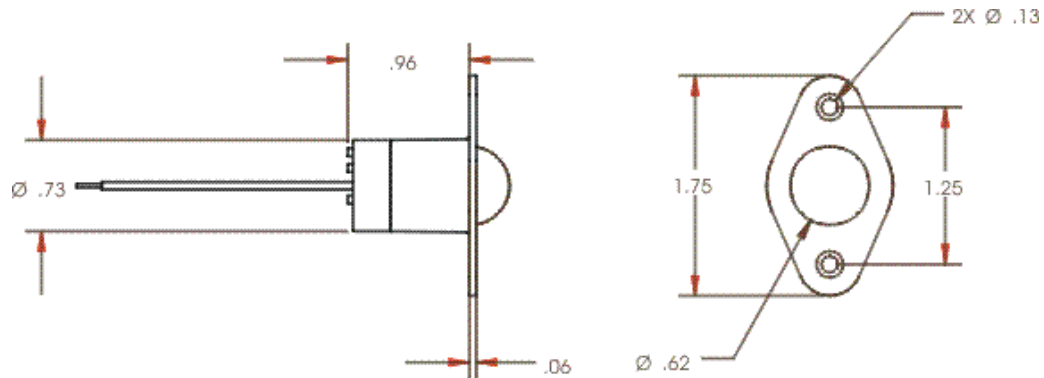


DS-01T
Short Roller Ball

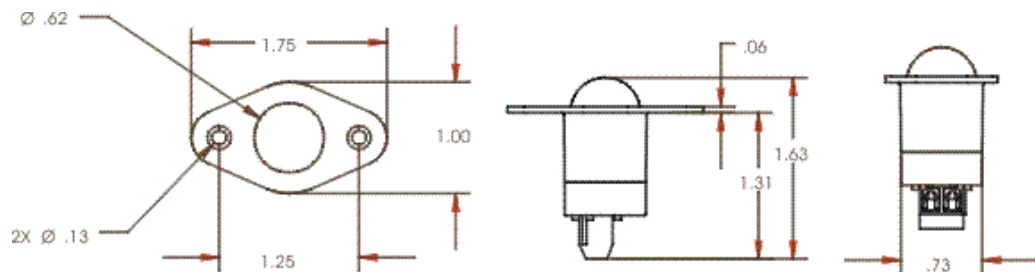
- Lifetime Warranty
- Colors: White or Brown
- UL and ULC Approved
- Available in Closed Loop and SPDT
- Total Travel - .200
Pre Travel - .080 ± .030
- Standard 12" Leads
- Longer Leads, Zip Cord or Jacketed Cable on Request
- Terminal Block Available
- Terminal Switch Indicated by "T" Designation
- Built-in E.O.L. Resistors and Diodes Available on Request
- Hardware and Spacers Included, also Available Separately

The new GRI Short Roller Ball is a unique combination of many features most requested by today's top install technicians. The single mounting configuration also eliminates the need for multiple stock variations like those required for horizontal and vertical mounting.

The GRI Short Roller Ball is so versatile it can be used in place of a regular plunger switch or wheel type switch. The flanged collar insures positive and reliable retention.



DS-01
Short Roller Ball



DS-01T
Short Roller Ball

SHORT ROLLER BALL*

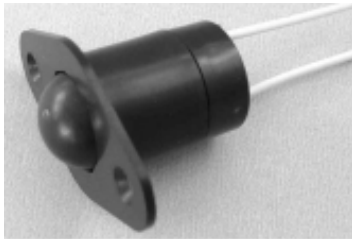


DS-O1 SERIES



* Replaces the Dome Switch

- ◆ 360° of Ball Access, Provides Smooth Travel of the Plunger
for Longer Life & Better Reliability
- ◆ Screw Down Flange ◆ 12" Wire Leads #22AWG or Screw Terminals
- ◆ Jacketed Cable, Zip Cord, Longer Leads Available On Request
- ◆ Hermetically Sealed ◆ Plated Contacts Resist Sticking and/or Freezing
 - ◆ Built-in E.O.L. Resistors and Diodes Upon Request
- ◆ Spacer and Mounting Hardware Included ◆ Spacers Sold Separately
 - ◆ Supervisory Loops Upon Request
- ◆ Colors: White, Brown ◆ Lifetime Warranty



DS-O1



DS-O1T

PART NUMBERS:

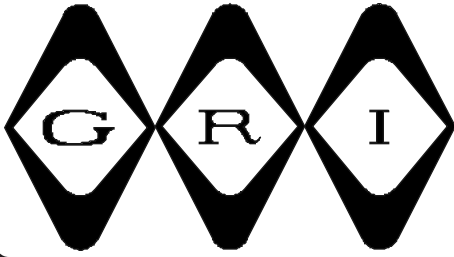
	Closed Loop	SPDT
12" Wire Leads	DS-01	DS-03
Terminal Block	DS-01T	
Travel:		
Total	.200	
Pre Travel	.080 ± .030	

GEORGE RISK INDUSTRIES, INC.
G.R.I. PLAZA
KIMBALL, NE 69145



MADE IN U.S.A.

TOLL-FREE 1-800-445-5218
TOLL-FREE 1-800-523-1227
(308) 235-4645
FAX (308) 235-3561
E-MAIL: grisales@megavision.com
WEB SITE: www.grisk.com



SHORT ROLLER BALL

INSTALLATION

APPLICATION:

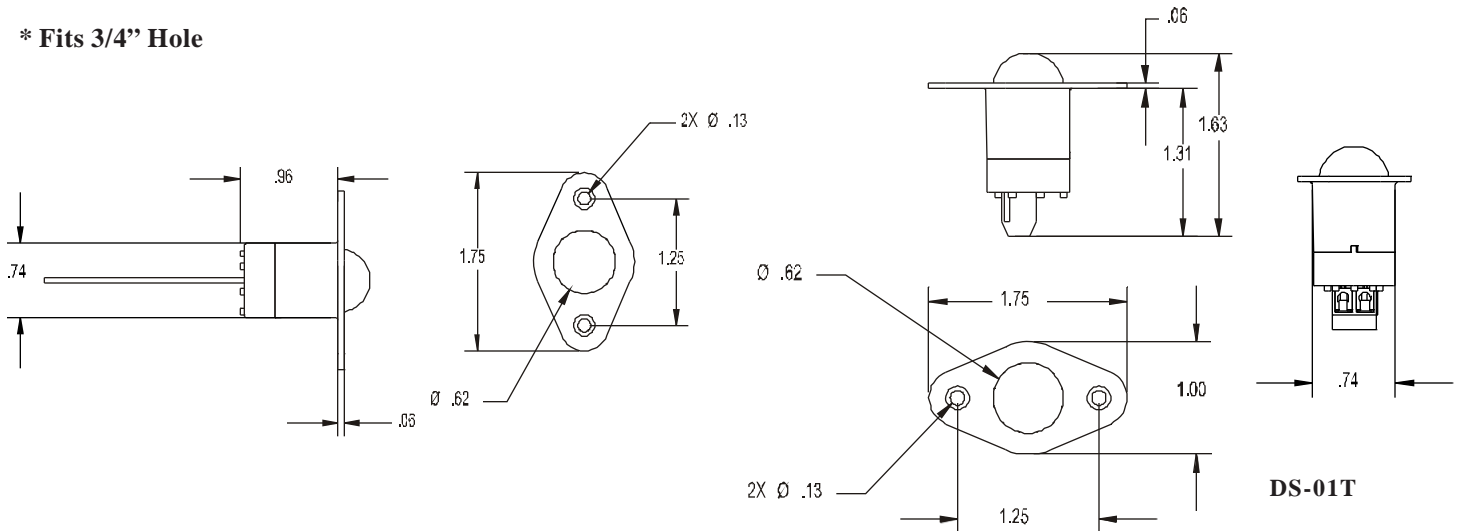
360° of ball access provides smooth travel of the ball downward resulting in longer life and better reliability. The shorter length of the body helps the installer by eliminating the need for a long, deep hole to allow for a switch housing. The collar is flanged to insure reliability with positioning and positive retention when the switch is installed.

GRI's creation of the new short roller ball style switch uses a magnetic reed with a rolling ball to control the magnet. The ball plunger can be activated from any direction.

Our improved Short Roller Ball Switch is actuated when the ball rolls into the switch rather than simply being forced into the housing.

Important Note: GRI's improved DS and RB Series of products are not recommended for the bottom or side track of windows and doors.

* Fits 3/4" Hole



GRI products meet or exceed these minimum general specifications:

PART NUMBER	LOOP TYPE	ELECTRICAL CONFIG.	REED FORM	MAXIMUM INITIAL CONTACT RESISTANCE (Ω)	MAXIMUM CONTACT RATING (W)	MAXIMUM SWITCHING VOLTAGE (VDC)	MAXIMUM SWITCHING CURRENT (A)
DS-01	Closed	N/O	A	.150	10	200	.500
DS-01T	Closed	N/O	A	.150	10	200	.500
DS-03	Open/Closed	SPDT	C	.140	5	175VDC	.250

WARRANTY:

Lifetime warranty against workmanship, material and factory defects.

CONTACT YOUR G.R.I. DISTRIBUTOR OR CALL:

GEORGE RISK INDUSTRIES, INC.
G.R.I. PLAZA
KIMBALL, NE 69145



MADE IN U.S.A.

TOLL-FREE 1-800-445-5218

TOLL-FREE 1-800-523-1227

(308) 235-4645

FAX (308) 235-3561

E-MAIL: grisales@megavision.com

WEB SITE: www.grisk.com