



  
**CL50**  
mechanical

# MINI MECH LOCK

# CL50

The CL50 is an easy-to-fit light duty mechanical push button lock with tubular latch.

The CL50 is a mini mechanical lock, it's compact size makes it suitable for low traffic, internal applications. The keyless lock provides immediate access with a 4-6 digit code, providing 500+ code combinations. The lock comes in a silver-grey finish and installation is simple; drill one hole for latch, one for the spindle and two holes for the fixing bolts. Control access to individual offices, store rooms, stationary cupboards, school arts and IT storage. The CL50 is extremely versatile.

## FEATURES

- Easy fit
- Mini mechanical push button lock
- 60mm backset latch
- Alternative 50mm and 70mm backset latches available
- Easy action internal lever
- Hold open function allowing Code Free access
- 4-6 digit code length
- 511 total combinations
- Limited lifetime warranty\*
- Suitable for low traffic applications
- Vertical orientation
- Flat spring loaded spindle
- Suitable for wooden doors between 35-60mm thick
- Silver Grey finish
- Non handed, locks will suit Right or Left hand hung doors
- Light duty latch bolt with 'anti-shim' plunger



CL50

### Mortice Latch

As standard supplied with 'hold open' function allowing free entry when required without operating the code. Function can be disabled on installation requiring code to be entered every time to open the door.

### Code Change Method

Requires removal of lock from the door. Locks are supplied with a random code commencing with the 'C' clear button. To change the code after fitting, the lock must be removed from the door.

The CL50 code chamber consists of 9 buttons from which the code is selected, and a 'C' button which is used to re-set the chamber after an incorrect entry, and which must always be used as the first digit of a code. Buttons may only be used ONCE in a code. For example, 1212 is not possible. A code, or combination, can be entered in any order or sequence; e.g. 1234 can be 4321 or 1342 or whatever sequence is most convenient to remember. With 9 buttons, a total of 511 different codes are available, any of which can be entered in any sequence.

# OPTIONS

### Latch Options:

Light duty with stainless steel latch bolt head, with "anti-shim" plunger, 60mm (2 3/8") back set requires 25mm (1") hole, 82mm (3 1/4") deep.

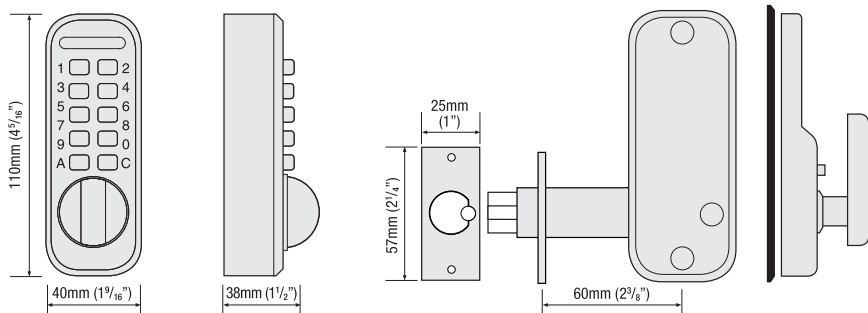
### Also Available:

50mm (2") back set latch requires 25mm (1") x 72mm (2 7/8") hole.  
70mm (2 3/4") back set latch requires 25mm (1") x 92mm (3 5/8") hole.

Neoprene seals are included on both sides to provide friction against the face of the door and to avoid damage from over tightening of the fixing bolts.

**For further product model options see price list.**

# PRODUCT DIMENSIONS



# TECHNICAL SPECIFICATIONS

|                 |  |
|-----------------|--|
| Functions       | One available                                  |
| Spindle Type    | Flat spring loaded spindle                     |
| Material        | Zinc Alloy                                     |
| Door Thickness  | 35mm - 60mm (1 3/8" - 2 3/8")                  |
| Buttons         | 10 stainless steel buttons                     |
| Non Handed      | Locks will fit doors hung on the left or right |
| Fitting Options | Vertical                                       |
| Finish          | SG (silver grey)                               |
| Codes           | 511 non sequential codes available             |
| Code Storage    | Single Code                                    |
| Suitable For    | Low traffic applications - internal use        |

\*Codelocks mechanical locks will be repaired, serviced or replaced free of charge if they develop a manufacturing fault. Faults caused by misuse, abuse and/or poor fitting are not covered by the guarantees.

