



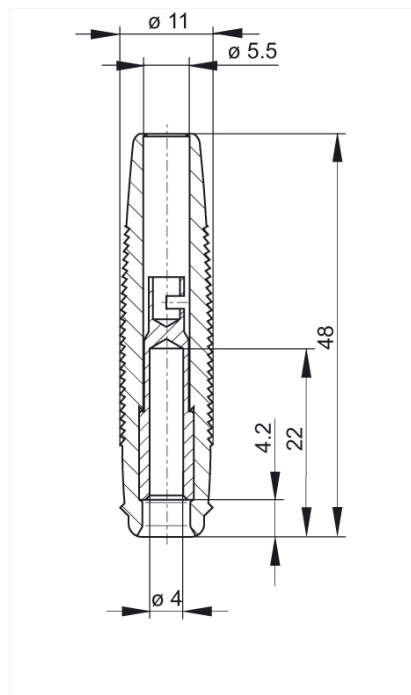
## KUN 30 rot/red

Industrial Connectors:Measuring and Testing Equipment:Sockets:4 mm system

### Product description

Description	Shatter-proof, flexible, insulated coupling for a 4 mm diameter plug and solder connection up to a cable cross-section of 2.5 mm <sup>2</sup> . Tin-plated brass socket.
Type	KUN 30 rot/red
Order No.	931 804-101
System	4 mm system
Housing Color	red
Color types	● ● ● ● ●
Other standard types	black color, order no. 931 804-100; blue color, order no. 931 804-102; yellow color, order no. 931 804-103; green color, order no. 931 804-104

### Drawing



### Technical data

Type of contact	socket
Type of termination	solder

Rated voltage	DC 60 V
Rated current	16 A
Contact resistance	3 mOhm
<b>Material</b>	
Contact material	brass
Contact surface material	tin-plated
Housing material	PVC-P
<b>Environmental conditions</b>	
Temperature range	-25 °C to +70 °C
<b>Inflammability class</b>	
Housing	94 V-2