



### Main

Range of product	Magelis STO & STU
Product or component type	Touch panel screen
Software designation	Vijeo Designer
Operating system	Magelis
Processor name	CPU ARM9

### Complementary

Display size	5.7 inch
Display type	QVGA TFT colour touchscreen
Display colour	65536 colours
Pixel resolution	320 x 240 pixels
Touch panel	Analogue
Backlight lifespan	50000 hours
Brightness	16 levels
Character font	Japanese (ANK, Kanji) Chinese (simplified Chinese) ASCII Korean Taiwanese (traditional Chinese)
[Us] rated supply voltage	24 V DC
Supply	External source
Supply voltage limits	20.4...28.8 V
Inrush current	<= 30 A
Power consumption	6.8 W
Number of pages	Limited by internal memory capacity
Processor frequency	333 MHz
Memory description	Application memory, 16 MB Back up of data, 64 kB
Integrated connection type	1 USB (V2.0) port mini B USB 1 USB (V2.0) port USB type A COM1 serial link female RJ45, transmission rate <= 115.2 kbits/s (RS232C/RS485)

Disclaimer: This documentation is not intended as a substitute for and is not to be used for determining suitability or reliability of these products for specific user applications

	Power supply removable screw terminal block
Realtime clock	Access to the PLC real-time clock
Downloadable protocols	Modbus Uni-TE Modbus TCP/IP Third party protocols
Fixing mode	Ø 22 mm hole
Enclosure material	PC/PBT and PAA
Marking	CE
Height	129.15 mm
Width	163 mm
Depth	56.5 mm

## Environment

Immunity to microbreaks	<= 7 ms
Standards	UL 508 IEC 61000-6-2 FCC Class A EN 61131-2 UL 1604
Product certifications	CULus UL class 1 Div2 T4A ou T5 Marine C-Tick
Ambient air temperature for operation	0...50 °C
Ambient air temperature for storage	-20...60 °C
Relative humidity	0...85 % without condensation
Operating altitude	<= 2000 m
IP degree of protection	IP20 (rear panel) conforming to IEC 60529 IP65 (front panel) conforming to IEC 60529
NEMA degree of protection	NEMA 4X front panel (indoor use)
Shock resistance	15 gn for 11 ms conforming to IEC 60068-2-27
Vibration resistance	+/- 3.5 mm (f = 5...9 Hz) conforming to IEC 60068-2-6 1 gn (f = 9...150 Hz) conforming to IEC 60068-2-6
Resistance to electromagnetic fields	10 V/m conforming to IEC 61000-4-3

## Offer Sustainability

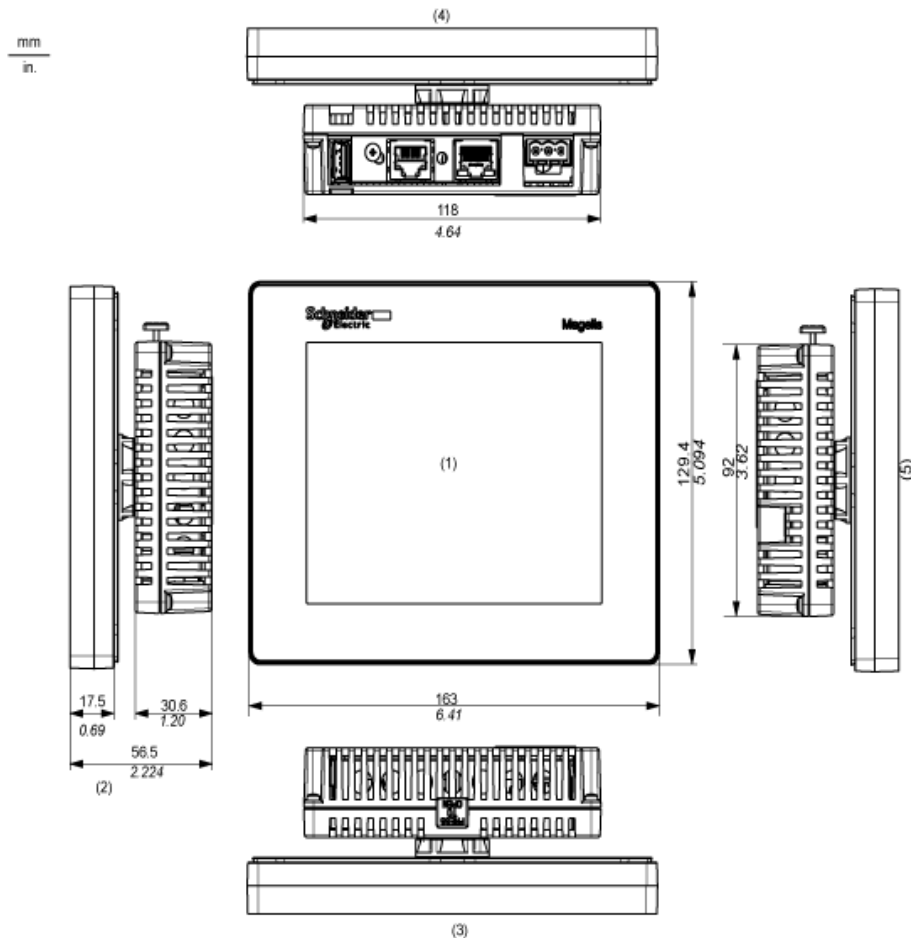
Sustainable offer status	Not Green Premium product
RoHS (date code: YYWW)	Compliant - since 1039 - Schneider Electric declaration of conformity <a href="#">Schneider Electric declaration of conformity</a>
REACH	Reference not containing SVHC above the threshold <a href="#">Reference not containing SVHC above the threshold</a>

## Contractual warranty

Warranty period	18 months
-----------------	-----------

Display and Rear Modules

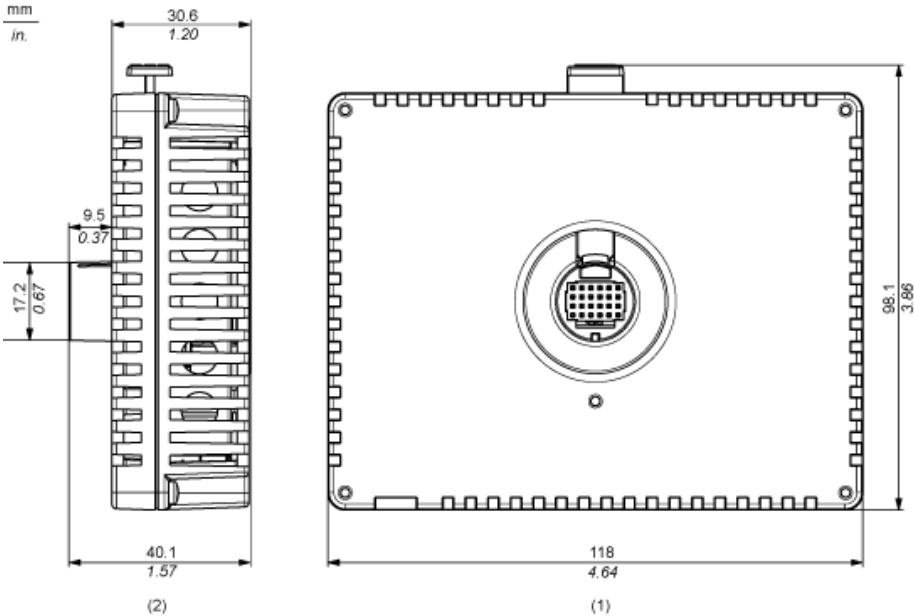
Dimensions



- (1) Front
- (2) Right side
- (3) Top
- (4) Bottom
- (5) Left side

## Rear Module

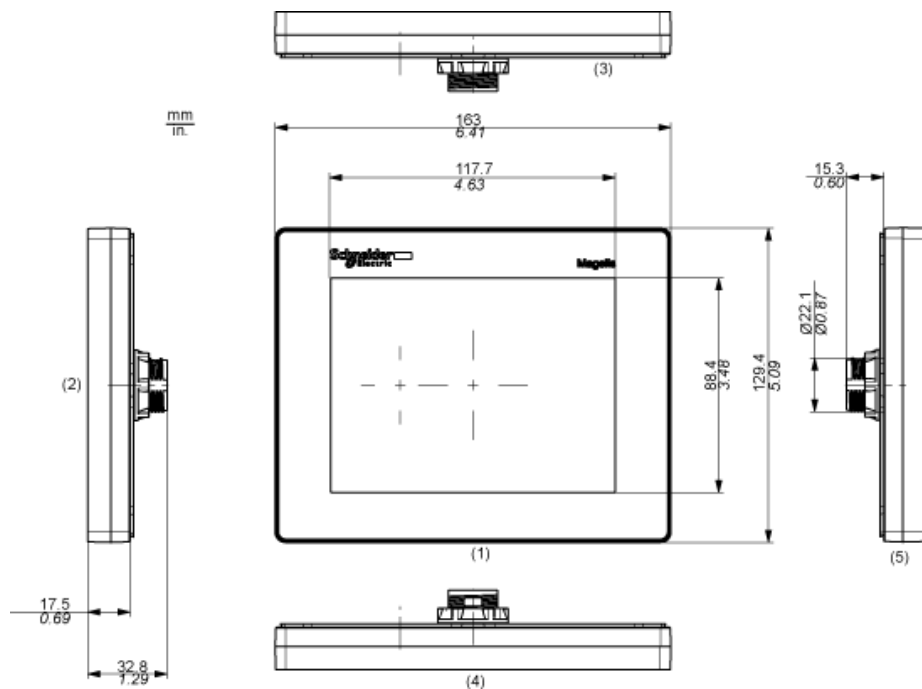
### Dimensions



- (1) Front
- (2) Right Side

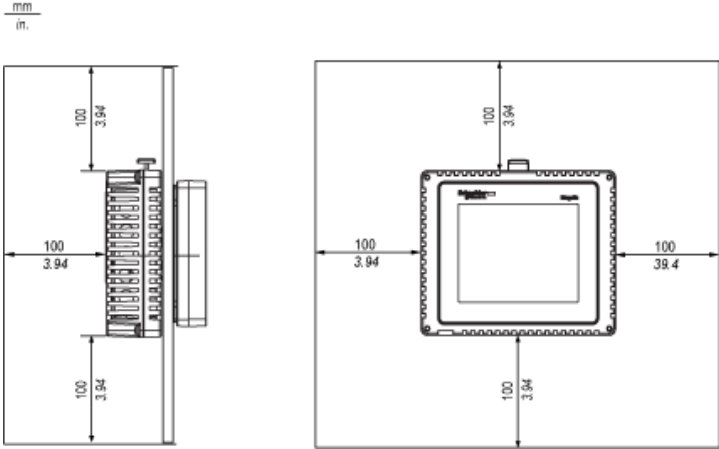
Display Module

Dimensions

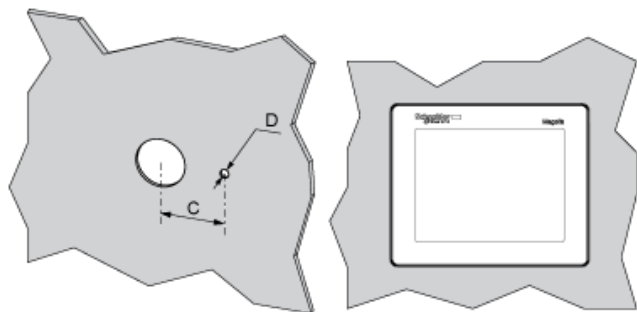


- (1) Front
- (2) Right Side
- (3) Bottom
- (4) Top
- (5) Left Side

## Clearance



## Panel Cut-out Dimensions



C (mm)	C (in.)	D (mm)	D (in.)
+0	+0	+0	+0
30.00	1.18	4.00	0.15
-0.20	-0.007	-0.20	-0.007

NOTE: With the tee option, the rotating torque that can be supported by the display module is 6 Nm (53.10 in-lb).