



### Main

Range of product	Zelio Relay
Accessory / separate part category	Marking accessory
Accessory / separate part type	Sheet of 108 clip-in legends
Sale per indivisible quantity	10

### Complementary

Product compatibility	Socket RXZ with connector
Accessory / separate part destination	All sockets RXZ with screw connector
Product weight	0.001 kg

### Contractual warranty

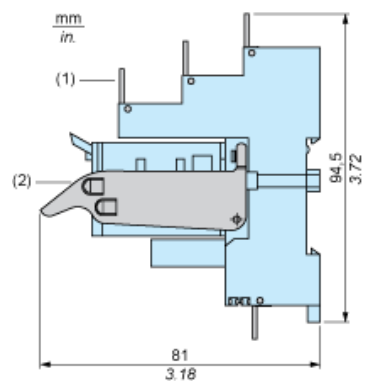
Warranty period	18 months
-----------------	-----------

---

Dimensions

---

Mounting on All Sockets (1)



- (1) Clip-in legends for all sockets except RXZE2M114
- (2) Plastic clamp