



Main

Range of product	Harmony 9001K
Product or component type	Complete joystick controller
Device short name	9001K
Sale per indivisible quantity	1
Type of operator	Spring return
Operator profile	80 mm long operating shaft

Complementary

Bezel material	Chromium plated metal
Mounting diameter	30 mm
Product weight	0.372 kg
Operating position	Any position
Shape of signaling unit head	Octagonal
Operator position information	5 positions
Positive opening	Without
Connections - terminals	Screw clamp terminals (1 x 0.22...2 x 1.5 mm ²) conforming to IEC 60947-1
Tightening torque	0.8 N.m conforming to IEC 60947-1
Shape of screw head	Cross slotted head
Contacts material	Silver alloy contacts
Short circuit protection	10 A cartridge fuse conforming to IEC 60947-5-1
[Ith] conventional free air thermal current	10 A
[Ui] rated insulation voltage	250 V (degree of pollution: 3) conforming to IEC 60947-1
[Uimp] rated impulse withstand voltage	2.5 kV conforming to IEC 60947-1
[Ie] rated operational current	3 A at 240 V AC-15, A600-Q600 conforming to NEMA 0.55 A at 125 V DC-13, A600-Q600 conforming to NEMA
[Icm] rated short-circuit making capacity	<= 12 kA at 600 V AC-15, 7200 VA <= 15 kA at 480 V AC-15, 7200 VA <= 30 kA at 240 V AC-15, 7200 VA

	<= 60 kA at 120 V AC-15, 7200 VA
Rated breaking capacity	<= 3 kA at 240 V AC-15, 720 VA <= 6 kA at 120 V AC-15, 720 VA <= 0.1 kA at 600 V DC-13 <= 0.27 kA at 250 V DC-13 <= 0.55 kA at 125 V DC-13 <= 1.2 kA at 600 V AC-15, 720 VA <= 1.5 kA at 480 V AC-15, 720 VA

Environment

Protective treatment	TC
Ambient air temperature for storage	-40...70 °C
Ambient air temperature for operation	-25...70 °C
Overvoltage category	II conforming to IEC 61140
IP degree of protection	IP66 conforming to IEC 60529
NEMA degree of protection	NEMA 1 NEMA 12 NEMA 13 NEMA 2 NEMA 3 NEMA 3R NEMA 4
Standards	JIS C 852 EN/IEC 60947-5-1 EN/IEC 60947-1 JIS C 4520 UL 508 CSA C22.2 No 14 EN/IEC 60947-5-4
Product certifications	NEMA UL 508
Vibration resistance	7 gn (f = 2...500 Hz) conforming to IEC 60068-2-6
Shock resistance	50 gn conforming to IEC 60068-2-27

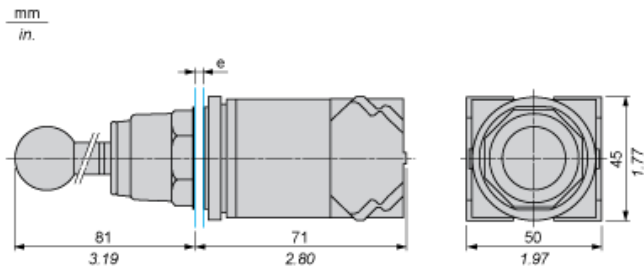
Offer Sustainability

RoHS (date code: YYWW)	Compliant - since 0921 - Schneider Electric declaration of conformity Schneider Electric declaration of conformity
REACH	Reference not containing SVHC above the threshold Reference not containing SVHC above the threshold

Contractual warranty

Warranty period	18 months
-----------------	-----------

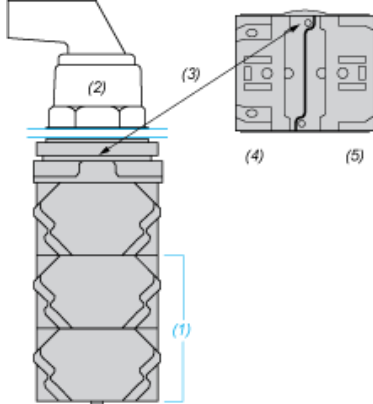
Dimensions



e panel thickness: 1 to 6 mm / 0.04 to 0.24 in.

Contact Block Mounting Position

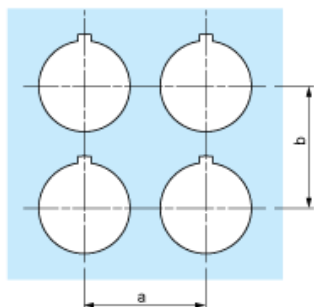
Top and Rear views



- (1) It is possible to mount up to 3 levels of contacts blocks (maximum of 6 contacts blocks)
- (2) Operator
- (3) Locating notch
- (4) Side 1
- (5) Side 2

Panel Cut-Out

Clearance

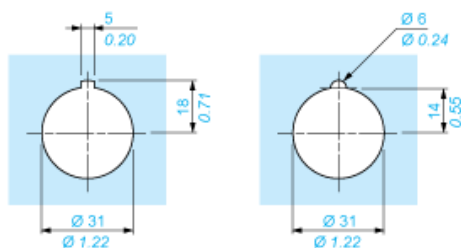


Legend plate	a min.		b min.	
	mm	in.	mm	in.
9001KN2••	57.2	2.25	44.5	1.75
9001KN3••	57.2	2.25	50.8	2.00

Individual Cut-outs Details

2 alternatives

$\frac{\text{mm}}{\text{in.}}$



Joystick Positions

