



### Main

Range of product	Harmony XALG
Product or component type	Empty control station
Device short name	XALG
Product destination	For XB5 Ø 22 mm control and signalling units
Environmental characteristic	Severe ambiance
Colour of base of enclosure	Black RAL 9005
Colour of cover	Black RAL 9005
Material	Mineral reinforced polyamide
Cable entry	2 knock-outs for ISO M20 cable entry
IP degree of protection	IP69 IP66 conforming to IEC 60529 IP67 conforming to IEC 60529 IP69K

### Complementary

Assembly style	For customer assembly
Number of cut-out	2 cut-outs, vertical operator cut-out centre distance: 30 mm
CAD overall width	135 mm
CAD overall height	72 mm
CAD overall depth	65 mm
Product weight	0.28 kg
Resistance to high pressure washer	10 mPa at 80 °C,distance: 0.2 m

### Environment

Protective treatment	TC TH
Ambient air temperature for storage	-40...70 °C
Ambient air temperature for operation	-25...70 °C

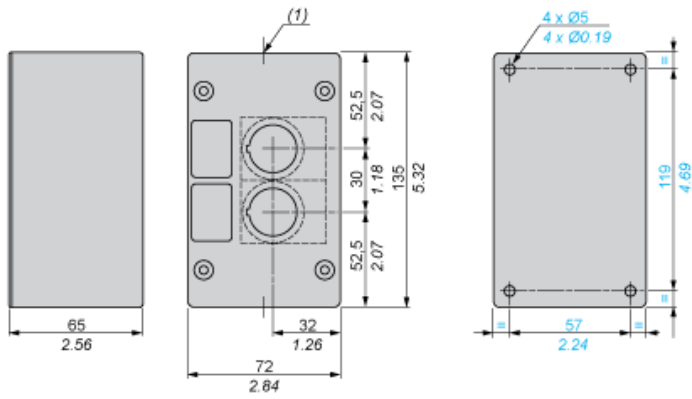
Class of protection against electric shock	Class II conforming to EN/IEC 61140
IK degree of protection	IK05 conforming to EN 50102
Resistance to chemical agents	<p>Good resistance to lactic acid at 10 °C</p> <p>Good resistant to detergent at 60 °C</p> <p>Not resistant to formic acid (10 %) at 50 °C</p> <p>Not resistant to lactic acid at 90 °C</p> <p>Good resistance to ammonia</p> <p>Good resistance to benzene</p> <p>Good resistance to butter</p> <p>Good resistance to citric acid (10 %)</p> <p>Good resistance to cutting compounds</p> <p>Good resistance to ethane</p> <p>Good resistance to ethanol</p> <p>Good resistance to ethylene</p> <p>Good resistance to fatty acids</p> <p>Good resistance to fatty alcohols</p> <p>Good resistance to milk</p> <p>Good resistance to motor oils and greases</p> <p>Good resistance to oils (vegetable, mineral)</p> <p>Good resistance to petroleum</p> <p>Good resistant to acetone</p> <p>Good resistant to uric acid (20 %)</p> <p>Limited resistance to acetic acid (10 %)</p> <p>Limited resistance to boric acid</p> <p>Not resistant to hydrogen peroxide (30 %)</p> <p>Not resistant to nitric acid (2 %)</p>
Standards	<p>EN/IEC 60947-5-1</p> <p>EN/IEC 60947-1</p>

### Contractual warranty

Warranty period	18 months
-----------------	-----------

Dimensions

mm  
in.



(1) 2 ISO 20 cable entries.