



Main

| | |
|-----------------------------|---|
| Range of product | Harmony XAP |
| Product or component type | Die-cast empty control station |
| Device short name | XAPM |
| Product destination | For Ø 22 mm control and signalling units |
| Product front plate size | 80 x 80 mm |
| Usable depth | 49 mm |
| Number of cut-out | 1 cut-out |
| Colour of base of enclosure | Blue |
| Colour of cover | Blue |
| Material | Zinc alloy |
| Cable entry | 1 hole with blanking plug for cable gland <= 14 mm 1 hole without blanking plug for cable gland <= 14 mm |
| Device mounting | Flush |
| IP degree of protection | IP69 conforming to NF C 20-010 IP65 conforming to IEC 60529 IP69K |

Complementary

| | |
|-------------------------|----------|
| Number of vertical rows | 1 |
| Product weight | 0.455 kg |

Environment

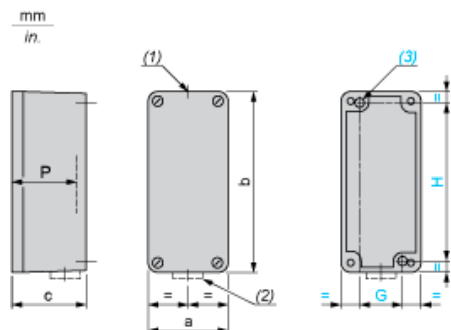
| | |
|---------------------------------------|--|
| Protective treatment | TC |
| Ambient air temperature for storage | -40...70 °C |
| Ambient air temperature for operation | -40...70 °C |
| Overvoltage category | Class I conforming to NF C 20-030 Class I conforming to IEC 60536 |

Contractual warranty

| | |
|-----------------|-----------|
| Warranty period | 18 months |
|-----------------|-----------|

Dimensions and Fixing

Refer to the product characteristics to get the number of cut-outs.



- (1) 1 hole, without blanking plug, for cable gland with 14 mm/0.55 in. maximum clamping capacity
 - (2) 1 hole, with blanking plug (protrusion 6 mm/0.23 in.), for cable gland with 14 mm/0.55 in. maximum clamping capacity
 - (3) 2 x Ø 5.6 mm/0.22 in. holes, depth 20 mm/0.78 in.
- P Usable depth

| a | | b | | c | | G | | H | | P | |
|----|------|----|------|------|------|----|------|----|------|----|------|
| mm | in. | mm | in. | mm | in. | mm | in. | mm | in. | mm | in. |
| 80 | 3.15 | 80 | 3.15 | 51.5 | 2.01 | 50 | 1.97 | 65 | 2.56 | 49 | 1.93 |