



Main

Range of product	Harmony XB4R
Product or component type	Wireless and batteryless package
Device short name	XB4R
Head material	Metal
Kit composition	1 metal push-button, 1 receiver and 1 set of caps
Transmission frequency	2405 MHz for transmitter 2405 MHz for receiver
Level or class	5M00G7W
Antenna type	Omnidirectional
Device composition	ZBA79 ZB4RZA0 ZBRT1 Paired receiver ZB4BZ009

Complementary

Control type	Wireless and batteryless push-button Ø 22 mm assembled on fixing collar
Type of receiver	Non-programmable receiver (1 relay)
[Us] rated supply voltage	24 V DC
Communication port protocol	Zigbee conforming to IEEE 802.15.4
Rated power in W	<= 1 mW
Number of channels	1
Modulation technique	O-QPSK
Bandwidth	5 MHz
Antenna gain	0 dBi

Environment

Product certifications	CSA UL C-Tick GOST
------------------------	-----------------------------

	CCC
Marking	CE
Standards	EN/IEC 60947-5-1 CSA C22.2 No 14 EN/IEC 60947-1 UL 508
Radio agreement	FCC ICASA RSS ANATEL SRRC ARIB T66

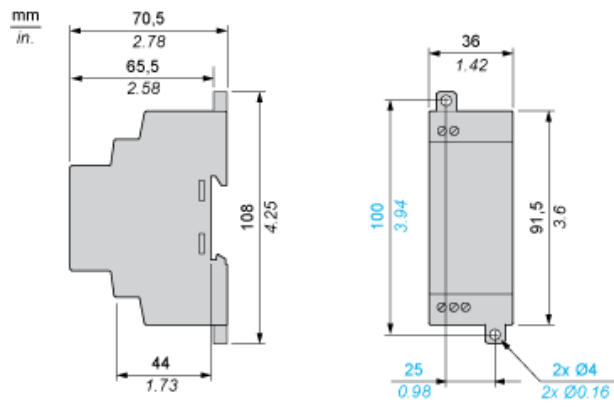
Offer Sustainability

Sustainable offer status	Not Green Premium product
RoHS (date code: YYWW)	Compliant - since 1113 - Schneider Electric declaration of conformity Schneider Electric declaration of conformity

Contractual warranty

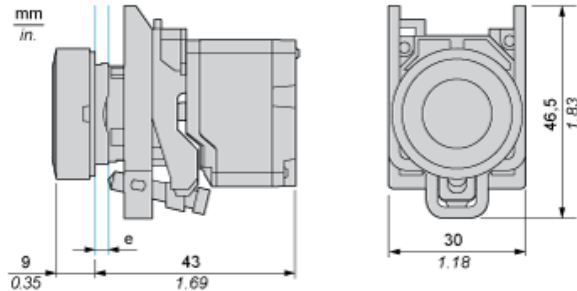
Warranty period	18 months
-----------------	-----------

Non-Programmable Receiver



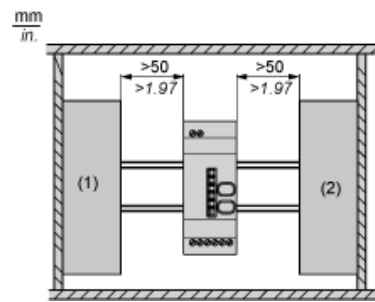
Wireless and Batteryless Pushbutton - Transmitter

With Metal Pushbutton without Cap



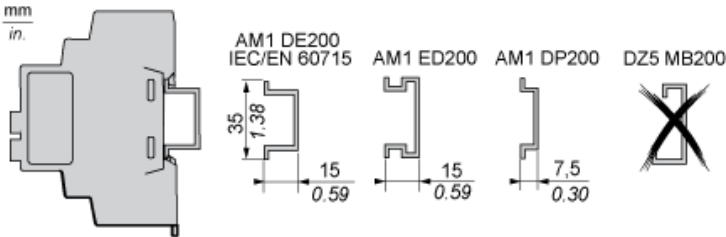
e: panel thickness 1 to 6 mm / 0.039 to 0.24 in.

Receiver Clearance



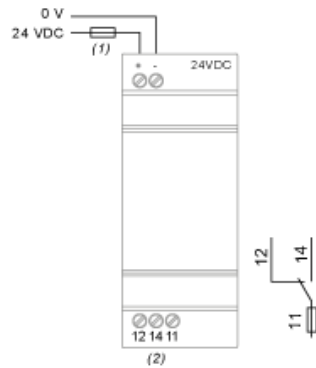
- (1) Drive
- (2) Power Supply or PLC

Receiver Mounting



Non-Programmable Receiver

Wiring Diagram



- (1) 125 mA fast-blow fuse
- (2) $I_{max} = 3 \text{ A}$