



### Main

|                           |   |
|---------------------------|---|
| Range of product          | Harmony XB4R                                      |
| Product or component type | Wireless and batteryless package                  |
| Device short name         | XB4R  |
| Head material             | Metal   |
| Kit composition           | 1 metal push-button, 1 receiver and 1 set of caps |
| Transmission frequency    | 2405 MHz for transmitter<br>2405 MHz for receiver |
| Level or class            | 5M00G7W   |
| Antenna type              | Omnidirectional                                   |
| Device composition        | ZBA79<br>ZB4BZ009<br>ZBRT1<br>ZBRRA<br>ZB4RZA0    |

### Complementary

|                             |  |
|-----------------------------|--|
| Control type                | Wireless and batteryless push-button Ø 22 mm assembled on fixing collar  |
| Type of receiver            | Programmable receiver (2 relays)   |
| [Us] rated supply voltage   | 24...240 V AC/DC 50/60 Hz  |
| Status LED                  | 1 LED green for power ON<br>2 LEDs green for relay ON<br>2 LEDs green for function mode<br>1 LED green and yellow for reception signal |
| Communication port protocol | Zigbee conforming to IEEE 802.15.4   |
| Rated power in W            | <= 1 mW  |
| Number of channels          | 1  |
| Modulation technique        | O-QPSK   |
| Bandwidth                   | 5 MHz  |
| Antenna gain                | 0 dBi  |

Disclaimer: This documentation is not intended as a substitute for and is not to be used for determining suitability or reliability of these products for specific user applications

## Environment

|                        |   |
|------------------------|---|
| Product certifications | UL<br>CSA<br>C-Tick<br>CCC<br>GOST                              |
| Marking                | CE  |
| Standards              | EN/IEC 60947-1<br>CSA C22.2 No 14<br>UL 508<br>EN/IEC 60947-5-1 |
| Radio agreement        | FCC<br>ICASA<br>SRRC<br>ANATEL<br>RSS<br>ARIB T66               |

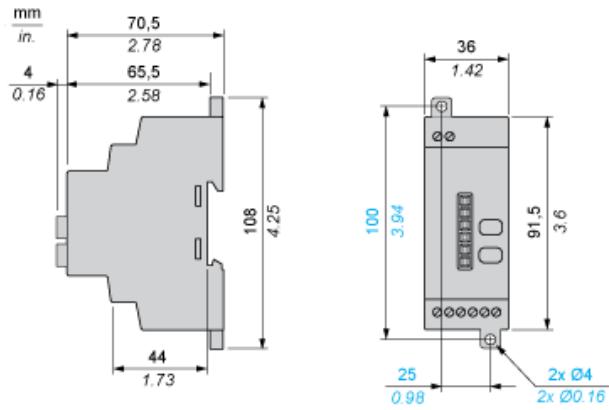
## Offer Sustainability

|                          |   |
|--------------------------|---|
| Sustainable offer status | Not Green Premium product   |
| RoHS (date code: YYWW)   | Compliant - since 1113 - Schneider Electric declaration of conformity<br><a href="#">Schneider Electric declaration of conformity</a> |

## Contractual warranty

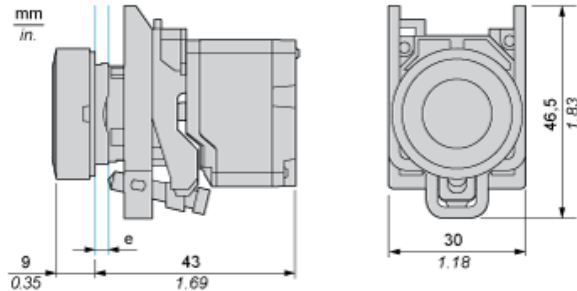
|                 |           |
|-----------------|-----------|
| Warranty period | 18 months |
|-----------------|-----------|

Programmable Receiver



Wireless and Batteryless Pushbutton - Transmitter

With Metal Pushbutton without Cap

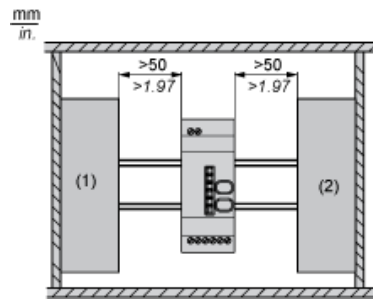


e: panel thickness 1 to 6 mm / 0.039 to 0.24 in.

---

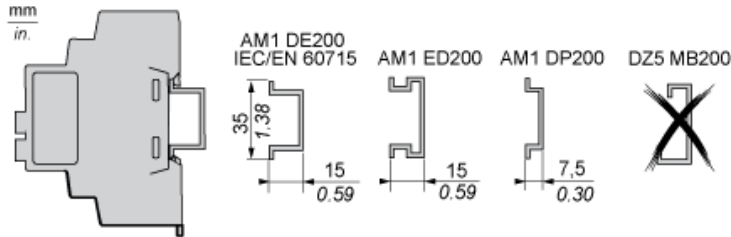
Receiver Clearance

---

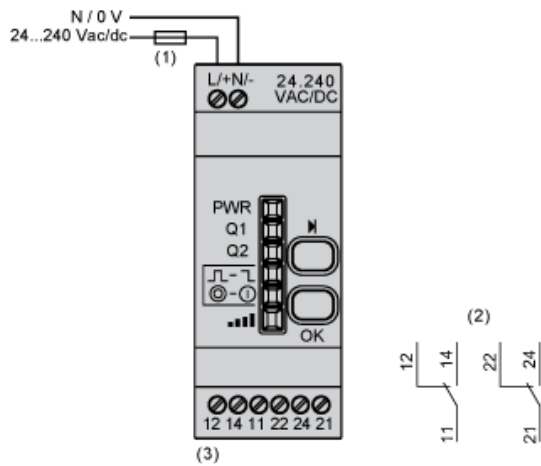


- (1) Drive
- (2) Power Supply or PLC

Receiver Mounting



## Programmable Receiver



- (1) 500 mA
- (2) Output contacts
- (3)  $I_{max} = 3 \text{ A}$