



Main

Range of product	Harmony XB5R
Product or component type	Wireless and batteryless package
Device short name	XB5R
Head material	Plastic
Kit composition	1 plastic push-button, 1 receiver and 1 set of caps
Transmission frequency	2405 MHz for transmitter 2405 MHz for receiver
Level or class	5M00G7W
Antenna type	Omnidirectional
Device composition	ZB5RZA0 ZBRT1 ZBRM01 ZB5AZ009 ZBA79 ZBRRA

Complementary

Control type	Wireless and batteryless push-button handy box assembled on fixing collar
Type of receiver	Programmable receiver (2 relays)
[Us] rated supply voltage	24...240 V AC/DC 50/60 Hz
Status LED	1 LED green for power ON 2 LEDs green for relay ON 2 LEDs green for function mode 1 LED green and yellow for reception signal
Communication port protocol	Zigbee conforming to IEEE 802.15.4
Rated power in W	<= 1 mW
Number of channels	1
Modulation technique	O-QPSK
Bandwidth	5 MHz
Antenna gain	0 dBi

Environment

Product certifications	CSA UL C-Tick CCC GOST
Marking	CE
Standards	EN/IEC 60947-5-1 UL 508 CSA C22.2 No 14 EN/IEC 60947-1
Radio agreement	ANATEL ICASA SRRC RSS FCC ARIB T66

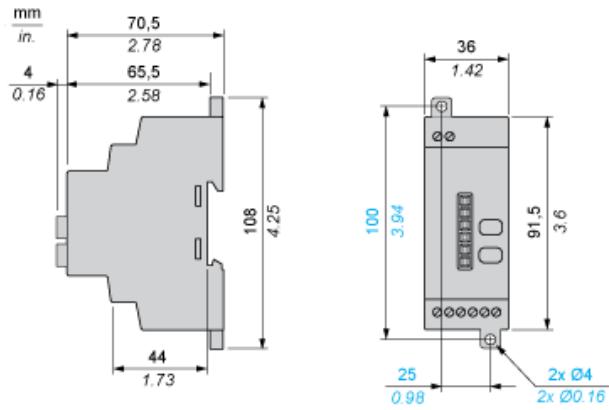
Offer Sustainability

Sustainable offer status	Green Premium product
RoHS (date code: YYWW)	Compliant - since 1028 - Schneider Electric declaration of conformity Schneider Electric declaration of conformity
REACH	Reference not containing SVHC above the threshold Reference not containing SVHC above the threshold
Product environmental profile	Available Product environmental
Product end of life instructions	Available End of life manual

Contractual warranty

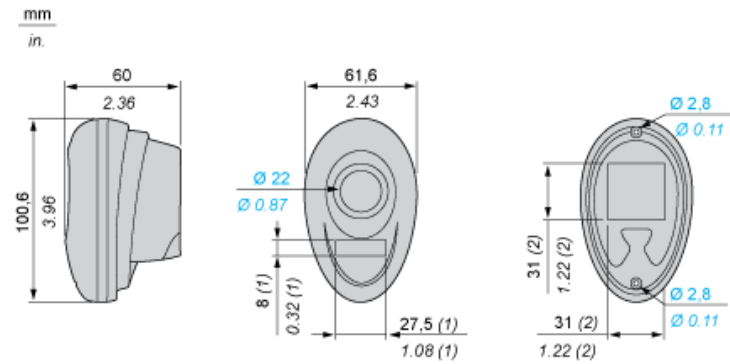
Warranty period	18 months
-----------------	-----------

Programmable Receiver



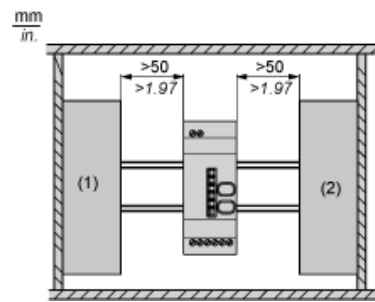
Wireless and Batteryless Pushbutton - Transmitter

Plastic Handy Box for Mobile Use



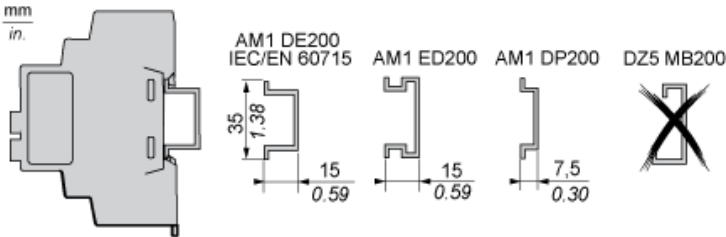
- (1) Location for ZBY0101T legend.
- (2) Location for magnet to be stuck on by the customer.

Receiver Clearance

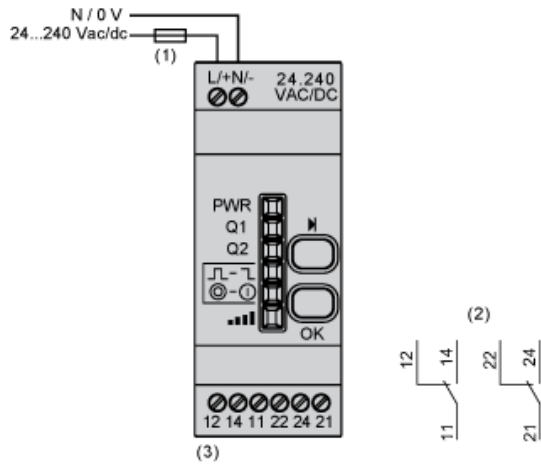


- (1) Drive
- (2) Power Supply or PLC

Receiver Mounting



Programmable Receiver



- (1) 500 mA
- (2) Output contacts
- (3) $I_{max} = 3 \text{ A}$