

XBTN401

small panel with touchscreen and keypad - with matrix screen - G-O-R - 24 V



Main

Range of product	Magelis XBTN
Product or component type	Small panel with touchscreen and keypad
Display resolution	122 x 32 pixels
Software type	Configuration software
Software designation	Vijeo Designer Lite
Operating system	Magelis

Complementary

Display type	Extra-bright matrix backlit LCD
Display colour	Orange Red Green
Character font	Katakana Greek ASCII Chinese (simplified Chinese) Cyrillic
[Us] rated supply voltage	24 V DC
Supply	External source
Supply voltage limits	18...30 V
Residual ripple	1200 mV
Power consumption	<= 5 W
Number of key	8
Number of fixed keys	4
Number of customisable keys	4
Local signalling	6 LEDs
Number of pages	256 alarm pages 200 application pages
Memory type	Flash

Memory capacity	512 kB
Integrated connection type	Power supply: removable screw terminal block Printer port: female mini DIN Serial link: female SUB-D 25, asynchronous transmission mode (RS232C/RS485), multidrop topology
Realtime clock	Access to the PLC real-time clock
Product mounting	Flush mounting
Fixing mode	By 2 spring clips
Display material	Polyester
Front material	PPT
Keypad material	Polyester
Marking	CE
Width	132 mm
Height	74 mm
Depth	43 mm
Cut-out dimensions	119.4 (+/- 0.5) x 63 (+/- 0.4) mm
Product weight	0.38 kg

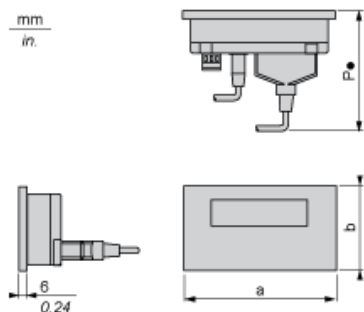
Environment

Messages display capacity	1 line of 5 characters minimum 4 lines of 20 characters maximum
Downloadable protocols	Uni-TE Modbus Third party protocols
Standards	UL 508 IEC 60068-2-27 CSA C22.2 No 14 IEC 61131-2 IEC 60068-2-6
Product certifications	UL Class 1 Division 2 ATEX zone 2/22 UL 1604 CSA Class 1 Division 2
Ambient air temperature for operation	0...55 °C
Ambient air temperature for storage	-20...60 °C
Relative humidity	0...85 % without condensation
IP degree of protection	IP20 (rear panel) conforming to IEC 60529 IP65 (front panel) conforming to IEC 60529
NEMA degree of protection	NEMA 4X front panel (outdoor use)
Shock resistance	15 gn for 11 ms
Vibration resistance	+/- 3.5 mm (f = 2...8.45 Hz) 1 gn (f = 8.45...150 Hz)

Contractual warranty

Warranty period	18 months
-----------------	-----------

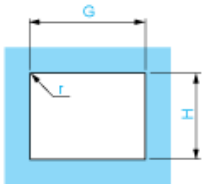
Dimensions



a		b		b1 (1)		P3 (2)		P4 (3)	
mm	in.	mm	in.	mm	in.	mm	in.	mm	in.
132	5.19	74	3	104	4.09	58	2.28	104	4.09

- (1) With fixing clips (included with product)
 (2) P3: depth with 25-way SUB-D angled cable XBTZ9680 (for Twido, TSX Micro and Premium) or XBTZ998 (for Modicon STB)
 (3) P4: depth with 25-way SUB-D cable XBTZ68/Z9681 (for Twido, TSX Micro and Premium)

Cut-out for Flush Mounting



Panel thickness = 1.5...6 mm / 0.05...0.23 in.

H		G		r max.	
±0.4 mm	±0.02 in.	±0.5 mm	±0.02 in.	mm	in.
63	2.48	119.4	5	1.5	0.05